

FLEET BROCHURE 2014



Go Further

FORD COMPETITIVE STRENGTHS

FIGO	2
FIESTA	4
IKON	6
ECOSPORT	8
FOCUS	10
FOCUS ST	14
KUGA	16
EVEREST	18
RANGER	
- SINGLE CAB	20
- SUPER CAB	24
- DOUBLE CAB	28
TOURNEO CUSTOM	32
TRANSIT CUSTOM	34
ALL-NEW TOURNEO	36
ALL-NEW TRANSIT	37
ALL-NEW TRANSIT CHASSIS CAB	38



We continue to be the overwhelming favourite for commercial and government fleets.

SEE FOR YOURSELF WHY FORD FLEET IS THE TOP CHOICE. We strive to give you our best in all phases of operations – especially when it comes to matching your dedicated drivers with our quality vehicles, which feature smart, safe and green technologies. To fulfill your needs, we offer the complete spectrum of cars, crossovers, utilities and trucks.

THERE'S NO COMPARING THE INNOVATION AND INTEGRITY OF FORD FLEET.



FORD FIGO COMPETITIVE STRENGTHS



DRIVE QUALITY

Every effort has gone into the **FIGO's** engineering to ensure that nothing will hinder your smooth driving experience.

The boot space offers up to 284 litres of space, and you'll enjoy loads more space with 100% rear seats folding flat.

Space, style and functionality all meet in the **FIGO's** interior design.

With careful thought put into each element, from seats to stowage areas and dash to door trims, its interior is truly a space you can make your own.

DRIVE GREEN

The two available powertrains - one petrol, one diesel - are built to deliver fuel efficiency, high performance and long-lasting durability.

DRIVE SAFE

Safety comes standard. The **FIGO** comes standard with more safety features, from dual front airbags to ABS with EBD.

DRIVE SMART

The illuminated instrument panel has features from a digital odometer to an accurate distance-to-empty display for your remaining fuel.

Connect your phone to your audio system with Bluetooth®, which allows for smarter ways to answer calls and switch between radio, CD/MP3 and your iPod easily.



ADDITIONAL WHY-BUYS

- Drive away locking & central locking
- Height adjustable driver seat*
- Front Power windows*
- Power steering wheel & height adjustable steering column
- Body coloured bumpers
- Front fog lamps*
- Chrome finishes on grille and tailgate*

* Available only on Trend version

Some driver assistance features and safety features described in this brochure are designed to function using sensors, which performance may be affected under certain weather or environmental conditions. For more information and guidelines please refer to the Owners' Manual.

	Ford Figo 1.4 Ambiente 5-dr	VW Polo Vivo 1.4 Base 5-dr	Chevrolet Spark 1.2 5-dr	Toyota Etios HB 1.5 Xi 5-dr	Ford Strengths
Engine & Performance					
Engine Size (cc)	1388	1398	1206	1496	
Cylinders	4	4	4	4	
Power (kW @ rpm)	62 @ 6000	55 @ 5000	60 @ 6400	66 @ 5600	
Torque (Nm @ rpm)	127 @ 4000	132 @ 3600	108 @ 4800	132 @ 3000	
Acceleration (0-100km/h)	13.1	12.9	13.3	11.3	
*Fuel Consumption - Combined (l/100km)	6.6	6.2	5.4	6	
CO ₂ Emission	156g/km	147g/km	129g/km	138g/km	
Transmission					
Transmission Type	5 speed manual	5 speed manual	5 speed manual	5 speed manual	
Wheels & Tyres					
Wheel Type	Styled Wheel Covers	Styled Wheel Covers	Steel	Steel	
Rim Size	5.5J x 14	5J x 14	4.5J x 14	5J x 14	
Tyre Size	175/65 R14	175/65 R14	165/65 R14	175/65 R14	
Dimensions & Capacities					
Fuel Tank Capacity (l)	45	45	35	45	
Boot Capacity (l)	284	270	170	251	√
Length (mm)	3795	3916	3640	3775	
Width (mm)	1680	1650	1597	1695	
Height (mm)	1427	1467	1522	1510	
Wheelbase (mm)	2489	2462	2375	2460	√
Turning Circle (m)	9.8	10.6	9.9	9.6 (Tyres)	
Safety & Security					
ABS	Yes	Optional	Yes	Yes	
Brake Assist (BAS)	No	Yes	No	No	
Electronic Brake Distribution (EBD)	Yes	Optional	Yes	Yes	
Driver & Passenger Airbag	Yes	Yes	Yes	Yes	
Side Impact Protection Bars	Yes	Yes	Yes	No	
ISOFIX Child Seat Attachments	Yes	-	Yes	No	
Central Locking	Key	Optional	Remote	No	
Alarm	Yes	Optional	Yes	No	
Auto-locking Doors	Motion	No	No	No	√
Comfort & Convenience					
Audio System	CD Frontloader	Optional	CD Frontloader + USB	Optional	
Bluetooth®	Yes	No	No	No	√
Number of Speakers	2	Optional	2	No	
Manual Windows	Yes	Yes	Yes	Yes	
Power Socket	Front	Front	Front	Front	
Remote Boot Release	Yes	-	Yes	Yes	
Remote Fuel Cap Opener	No	Yes	Yes	Yes	
Warning - Headlight On	Yes	Yes	No	No	
Warranty & Service Plans					
Warranty	4year / 120 000km	3 year/ 120 000 km	5 year/ 120 000 km	3 year/100 000 km	
Service Plan	Optional	Optional	Optional	2 year/ 30 000 km	
Service Intervals	20 000 km	15 000 km	15 000 km	10 000 km	√
Anti-corrosion Warranty	5 years	6 years	5 years	3 years	



FORD FIESTA COMPETITIVE STRENGTHS



DRIVE GREEN

The new **FIESTA** has been designed to reduce your cost of ownership through improved fuel economy and lower CO₂ emissions, without any compromise on style or driving quality.

Many things affect how far you can go on a tank of fuel, including the way you drive. EcoMode gives you tips on how to change the way you drive, while you're driving. So you can drive more and refuel less often.

Even if you could improve your fuel economy by 4% to 10%, could you really be bothered turning your engine off every time you come to a standstill at lights or in traffic? Of course not. So the **FIESTA** does it for you – automatically. (Only available on EcoBoost manual model)

Power and performance with Ford EcoBoost. The award-winning 1.0-litre EcoBoost delivers impressive fuel economy. But that's what you'd expect from an engine this small, right? What you don't expect is its power. In fact, this turbocharged 1-litre petrol engine can match a standard 1.6-litre petrol engine for power, any day.

DRIVE SMART

FIESTA's sophisticated electric power-assisted steering (EPAS) achieves a balance that's just not possible with conventional power steering systems. At parking speeds, full power is delivered for feather-light manoeuvring. Once you're on the move, it steadily weighs up to just the right extent for optimum feel and control.

Ford PowerShift delivers the perfect combination between automatic convenience and manual efficiency. This 6-speed automatic transmission selects the next appropriate gear at precisely the right moment for lightning-fast gear changes, with no disruption to the flow of power. The manual mode lets you switch gears at the push of a button – no clutch required.

The new **FIESTA** comes with a wealth of thoughtful features including automatic headlights that sense when they need to turn on and rain-sensing wipers that turn on and adjust their speed automatically for light or heavy rain. (Features standard on Titanium)

Hill Launch Assist. Designed to prevent you from rolling on a hill when you move your foot from the brake pedal to the accelerator pedal. It works in forward and reverse gears. (Not available on Ambiente)

With a choice of superb audio, and entertainment systems, and built-in connectivity for your gadgets, you can fill your **FIESTA** with your favourite music and connect to the outside world. Control your phone and music, hands-free, with SYNC®. SYNC® voice activation technology allows you to play music, make and receive hands-free calls and call phone contacts by simply saying their name. It will even read out your incoming text messages*. (Standard on Trend and Titanium, option as part of Ford SYNC® pack on Ambiente) *This feature is phone dependent. Visit sync.co.za for a list of supported phones.

Keyless entry and push button start. As long as your key fob is in your pocket or bag, your **FIESTA** automatically unlocks when you pull the door handle. Then simply put your foot on the brake, press the start button and drive away. (Standard on Titanium)



ADDITIONAL WHY-BUYS

- "Follow me home" lighting
- Remote central locking
- Front fog lamps (Available on Trend & Titanium)
- Passenger Airbag deactivation indicator
- Side, curtain and driver knee airbag (Available on Titanium)

Some driver assistance features and safety features described in this brochure are designed to function using sensors, which performance may be affected under certain weather or environmental conditions. For more information and guidelines please refer to the Owners' Manual.

	Ford Fiesta 1.4 Ambiente 5-dr	VW Polo 1.4 Trendline 5-dr	Toyota Yaris 1.3 Xs 5-dr	Hyundai i20 1.2 Motion 5-dr	Ford Strengths
Engine & Performance					
Engine Size (cc)	1387	1398	1329	1248	
Cylinders	4	4	4	4	
Power (kW @ rpm)	71 @ 5750	63 @ 5000	73 @ 6000	64 @ 6000	
Torque (Nm @ rpm)	128 @ 4200	132 @ 3600	125 @ 4000	120 @ 4000	
Acceleration (0-100km/h)	12.2	12.5	11.7	12.7	
Max Speed (km/h)	175	177	175	168	
*Fuel Consumption - Combined (l/100km)	5.7	6.1	5.6	5.6	
CO ₂ Emission	130g/km	144g/km	131g/km	128g/km	
Transmission					
Transmission Type	5 speed manual	5 speed manual	6 speed manual	5 speed manual	
Wheels & Tyres					
Wheel Type	Steel	Steel	Alloy	Steel	
Rim Size	6J x 15	5J x 14	5.5J x 15	5.5J x 14	
Tyre Size	195/50 R15	175/70 R14	185/60 R15	175/70 R14	
Dimensions & Capacities					
Fuel Tank Capacity (l)	42	45	42	45	
Boot Capacity (l)	276	280	286	295	
Length (mm)	3950	3970	3885	3995	
Width (mm)	1973	1682	1695	1710	√
Height (mm)	1470	1462	1515	1490	
Wheelbase (mm)	2489	2470	2510	2525	
Safety & Security					
ABS	Yes	Yes	Yes	Yes	
Brake Assist (BAS)	No	Yes	Yes	No	
Electronic Brake Distribution (EBD)	Yes	Yes	Yes	Yes	
Driver & Passenger Airbag	Yes	Yes	Yes	Yes	
Side Airbag	No	Yes	Yes	No	
Seatbelt - Pre-tensioner	Yes	-	No	Yes	
ISOFIX Child Seat Attachments	Yes	Yes	Yes	Yes	
Euro NCAP Safety Rating	5 Star	5 Star	5 Star	5 Star	
Central Locking	Remote	Remote	Remote	Remote	
Alarm	No	Yes	Yes	No	
Auto-locking Doors	Motion	Motion	No	No	
Comfort & Convenience					
Audio System	CD Frontloader	Optional	CD Frontloader + USB	CD Frontloader + USB	
Number of Speakers	2	Optional	6	6	
Steering Wheel - Multifunction	Optional	Optional	Audio	Audio	
Air Conditioner	Optional	Optional	Manual	Manual	
Electric Mirrors	Yes	No	Yes	No	
Electric Windows	Front	Front	Front	Front	
Heated Side Mirrors	Yes	No	No	No	√
Power Socket	Front	Front + Rear	Front	Front	
Warning - Headlight On	Auto-off	Yes	Yes	Yes	√
Split Rear Seats	Yes	Yes	Yes	Yes	
Driver Seat Height Adjustable	Yes	Yes	Yes	Yes	
Warranty & Service Plans					
Warranty	4 yr/ 120 000	3 yr/ 120 000	3 yr/ 100 000 km	5 yr/ 150 000	
Service Plan	4 yr/ 60 000 km	Optional	3 yr/ 45 000 km	2 yr/ 30 000 km	√
Service Intervals	20 000 km	15 000 km	15 000 km	15 000 km	√
Anti-corrosion Warranty	5 years	12 years	3 years	5 years	

FORD IKON COMPETITIVE STRENGTHS



DRIVE QUALITY

The **IKON's** stiff body structure plays a key role in isolating ride comfort and running refinement. The rigid supporting platform helps in keeping noise, vibration and harshness to minimal levels. Stability and instinctive controllability have been built into the chassis system to provide maximum vehicle control.

DRIVE GREEN

The Duratec petrol engines are purpose designed to provide a wide band of mid-range torque (6 000 – 6 500 rpm) exceptionally smooth power delivery, low fuel consumption *(7.6 – 7.9 L/100 km) high levels of durability / reliability and electronic throttle

DRIVE SAFE

The **IKON's** structure has been designed scientifically to absorb crash energy. Added to it are structural reinforcements that provide high levels of protection for occupants.

Supplementary safety features for improved occupant protection include:

Soft-feel steering wheel rim to reduce head injuries on impact. Collapsible steering column to reduce intrusion distance. Front seat belt "grabbers" to prevent uncontrolled movement during impact. "Anti-submarine" seats to prevent occupants from slipping between seats and lap strap in frontal impacts.

DRIVE SMART

The **IKON** complies with Ford's European anti-theft protection strategy of using a multi-faceted approach to vehicle security.

Following elements on all **IKON's**:

High security lock sets, for doors and boot lid. Steering column lock. Remote locking fuel filler cap connected to central locking. Child locks.



ADDITIONAL WHY-BUYS

- ABS & EBD
- Driver & Passenger Airbag
- Tilt adjustable steering wheel
- Radio/CD with front loader RDS/ MP3 with 4 speakers
- Aux connector
- Front and rear power windows

Some driver assistance features and safety features described in this brochure are designed to function using sensors, which performance may be affected under certain weather or environmental conditions. For more information and guidelines please refer to the Owners' Manual.

	Ford Ikon 1.6 Ambiente	VW Polo Vivo Sedan 1.4 Base	Chevrolet Aveo 1.6 L	Toyota Etios SD 1.5 Xi	Ford Strengths
Engine & Performance					
Engine Size (cc)	1596	1398	1598	1496	
Cylinders	4	4	4	4	
Power (kW @ rpm)	74 @ 6500	55 @ 5000	77 @ 5800	66 @ 5600	
Torque (Nm @ rpm)	143 @ 4000	132 @ 3600	145 @ 3400	132 @ 3000	
Acceleration (0-100km/h)	11.3	12.9	-	11.3	
Max Speed (km/h)	180	171	184	165	
*Fuel Consumption - Combined (l/100km)	7.6	6.2	7.3	5.9	
CO ₂ Emission	181g/km	147g/km	173g/km	136g/km	
Transmission					
Transmission Type	5 speed manual	5 speed manual	5 speed manual	5 speed manual	
Wheels & Tyres					
Wheel Type	Styled Wheel Covers	Styled Wheel Covers	Styled Wheel Covers	Steel	
Rim Size	5.5J x 15	5J x 14	6J x 14	5J x 14	
Tyre Size	195/55 R15	175/65 R14	185/60 R14	175/65 R14	
Dimensions & Capacity					
Fuel Tank Capacity (l)	45	45	45	45	
Boot Capacity (l)	430	432	440	595	
Length (mm)	4282	4198	4310	4265	
Width (mm)	1686	1650	1710	1695	
Height (mm)	1468	1467	1505	1510	
Wheelbase (mm)	2486	2462	2480	2550	
Turning Circle (m)	9.8	10.6	10.06	9.8(Tyres)	
Safety & Security					
ABS	Yes	Optional	Yes	Yes	
Brake Assist (BAS)	No	Yes	No	No	
Electronic Brake Distribution (EBD)	Yes	Optional	Yes	Yes	
Driver & Passenger Airbag	Yes	Yes	Yes	Yes	
Driver Seatbelt - Height Adjustable	No	Yes	No	No	
ISOFIX Child Seat Attachments	No	No	Yes	No	
Central Locking	Remote	Optional	Key	No	
Alarm	Yes	Optional	Yes	No	
Immobiliser	Yes	Yes	Yes	Yes	
Comfort & Convenience					
Audio System	CD Frontloader	Optional	Optional	Optional	✓
Number of Speakers	4	Optional	4	No	
Air Conditioner	Manual	Manual	Manual	Manual	
Manually Adjustable Mirrors	Yes	Remote	Yes	Yes	
Electric Windows	Front & Rear	No	No	No	✓
Headlight Adjuster	Yes	No	No	Yes	
Power Socket	Front	Front	No	Front	
Remote Boot Release	Yes	-	Yes	Yes	
Warning - Headlight On	Yes	Yes	No	No	
Split Rear Seats	No	No	Yes	No	
Driver Seat Height Adjustable	No	No	Yes	No	
Warranty & Service Plans					
Warranty	4 yr/ 120 000 km	3 yr/ 120 000 km	5 yr/ 120 000 km	3 yr/ 100 000 km	
Service Plan	4 yr/ 60 000 km	Optional	No	2 yr/ 30 000 km	✓
Service Intervals	15 000 km	15 000 km	15 000 km	10 000 km	
Anti-corrosion Warranty	5 years	6 years	5 years	3 years	

FORD ECOSPORT COMPETITIVE STRENGTHS



DRIVE QUALITY

You want an SUV but your life is in the city. That's why the **ECOSPORT** is the perfect fit. Its right-sized design makes it easy to park and get around those narrow city streets.

Like any SUV, an urban SUV is about getting you where you need to go. The **ECOSPORT** puts 200mm of ground clearance between you and the road, potholes, ditches or whatever else is in your way. Even if a bit of patchy road is the most you're anticipating, the **ECOSPORT's** 550mm water wading capability makes sure you're ready for the unexpected.

DRIVE SAFE

Exceptional handling and control. With technology like Traction Control (TCS) and Anti-Lock Braking System (ABS), the **ECOSPORT** reads and adapts instinctively to your drive. While Hill Launch Assist (HLA) stops the car from rolling downhill after you take your foot off the brake, giving you just enough time to smoothly accelerate away. ABS standard across range. TCS standard on Titanium. HLA standard on 1.5 Powershift Auto only. Airbags all around. Equipped with front, side and curtain airbags, you're protected from every angle you can think of.

DRIVE SMART

With SYNC®, it's easier than ever to stay connected while keeping your hands safely on the wheel and eyes on the road. You talk. SYNC® listens. There's voice control and then there's SYNC®. It seamlessly connects your Bluetooth® and USB devices so you can make and receive calls, play your favourite songs, or have your text messages read out to you. Just say the words and SYNC® does the rest. (Standard on Trend & Titanium)

The **ECOSPORT's** smart storage design ensures that life's essentials are always easily within your reach. Fold-down one of the 60:40 rear seats and you can transport long objects while still bringing along a few passengers. Fold them both down and your 705 litres of space. **ECOSPORT's** 21 storage spaces have all the features you'd expect, like side-door pockets and cup holders, as well as a few handy surprises like a glove box that doubles as an air-conditioned beverage cooler and a slide-out drawer under the front seat.

It's easy to enjoy driving when our 5-speed manual transmission allows you to move through the gears so effortlessly. If you prefer an automatic but still want the fuel economy of a manual, our dual-clutch, 6-speed PowerShift automatic transmission delivers both, with gear changes you barely notice.

International Engine of the Year 2012 and 2013. You'll be hard-pressed to find a better combination of fuel economy and power than the turbocharged 1.0 litre EcoBoost. This innovative petrol engine uses up to *20% less fuel than a traditional 1.6 litre petrol engine, yet still delivers the power you'd expect of a 1.6, with full torque at just 1500rpm.



ADDITIONAL WHY-BUYS

- 15" and 16" alloy wheels
- Emergency Brake Assist (EBA)*
- Full Leather seats*
- 3-Spoke partial leather steering wheel with audio controls and cruise control*

* Available on Titanium

Some driver assistance features and safety features described in this brochure are designed to function using sensors, which performance may be affected under certain weather or environmental conditions. For more information and guidelines please refer to the Owners' Manual.

	Ford EcoSport 1.5 Ambiente	Daihatsu Terios II 1.5	Nissan Juke 1.6 Acenta	Renault Duster 1.6 Expression	Ford Strengths
Engine & Performance					
Engine Size (cc)	1498	1495	1598	1598	
Cylinders	4	4	4	4	
Power (kW @ rpm)	82 @ 6300	77 @ 6000	86 @ 6000	75 @ 5850	
Torque (Nm @ rpm)	138 @ 4400	140 @ 4400	158 @ 4000	145 @ 3750	
Acceleration (0-100km/h)	11.6	Not Available	11	11.5	
Max Speed (km/h)	175	Not Available	Not Available	165	
*Fuel Consumption - Combined (l/100km)	6.5	7.5	6.0	7.5	
CO ₂ Emission	154g/km	176g/km	138g/km	180g/km	
Transmission					
Transmission Type	5 speed manual	5 speed manual	5 speed manual	5 speed manual	
Drive Type	Front	Front	Front	Front	
Wheels & Tyres					
Wheel Type	Steel	Alloy	Styled Wheel Covers	Steel	
Rim Size	5.5J x 15	6J x 16	6.5J x 16	6.5J x 16	
Tyre Size	195/65 R15	215/65 R16	205/60 R16	215/65 R16	
Spare Tyre Size	Full Size	Full Size	135/90 D16	Space Saver	
Dimensions & Capacities					
Fuel Tank Capacity (l)	52	50	46	50	√
Boot Capacity (l)	362	380	251	475	
Length (mm)	4010	4055	4135	4315	
Width (mm)	1765	1695	1765	1822	
Height (mm)	1639	1690	1565	1625	
Wheelbase (mm)	2521	2580	2530	2673	
Ground Clearance (mm)	200	200	180	205	
Wading Depth (mm)	550	185	Not available	Not available	√
Turning Circle (m)	10.6	9.8	10.7 (Tyres)	10.44	
Safety & Security					
ABS	Yes	Yes	Yes	Yes	
Anti Skid Control	No	No	Yes	No	
Brake Assist (BAS)	No	Yes	Yes	Yes	
Electronic Brake Distribution (EBD)	No	Yes	Yes	Yes	
Electronic Stability Program (ESP)	No	No	Yes	No	
Driver & Passenger Airbag	Yes	Yes	Yes	Yes	
Side Airbag	Yes	No	Yes	Yes	
Side Curtain Airbag	Yes	No	Yes	Yes	
Fog Lamps - Front	No	Yes	Yes	Yes	
ISOFIX Child Seat Attachments	Yes	Yes	Yes	No	
Central Locking	Remote	Remote	Remote	Remote	
Alarm	Yes	No	Yes	No	
Auto-locking Doors	Yes	No	Motion	No	
Comfort & Convenience					
Audio System	CD Frontloader	CD Frontloader	CD Frontloader	CD Frontloader + USB	
Number of Speakers	4	4	4	4	
Steering Wheel - Multifunction	No	No	Audio & Bluetooth®	Audio & Computer	
Air Conditioner	Manual	Manual	Manual	Manual	
Cellphone Preparation	No	No	Bluetooth®	Bluetooth®	
Cooling Glovebox	Yes	No	No	No	√
Electric Mirrors	Yes	Yes	Yes	Yes	
Electric Windows	Front	Front & Rear	Front & Rear	Front & Rear	
Roof Rails	No	Yes	No	Yes	
Warning - Headlight On	Yes	Yes	Yes	Yes	
Split Rear Seats	Yes	Yes	Yes	Yes	
Warranty & Service Plans					
Warranty	4 yr/ 120 000 km	3 yr/ 100 000 km	3 yr/ 100 000 km	5 yr/ 150 000 km	
Service Plan	4 yr/ 60 000 km	3 yr/ 75 000 km	3 yr/ 90 000 km	3 yr/ 45 000 km	
Service Intervals	20 000 km	15 000 km	15 000 km	15 000 km	√
Anti-corrosion Warranty	5 years	3 years	3 years	6 years	

FORD FOCUS COMPETITIVE STRENGTHS



5Dr Hatch model



4Dr Sedan model



DRIVE QUALITY

Power-assisted steering that uses less power. The **FOCUS** has electric power-assisted steering (EPAS) that automatically adjusts to suit the situation. It makes wheel turns feel lighter and easier, giving you greater manoeuvrability when you're driving in the city, at low speeds or when parking. It also makes the steering firmer when you need greater control and confidence at higher speeds.

Easy-Fuel capless refuelling system means it's hard to fill up with the wrong fuel. Why? As the correct fuel nozzle for your car is the only one that will fit.

Control Blade independent rear suspension for a smoother ride and more precise handling. This advanced rear-suspension system allows each wheel to independently move both upwards and backwards over bumps in the road.

DRIVE GREEN

The sprightly 1.6 Ti-VCT engine offers direct fuel injection for a denser, more precise charge with twin independent Variable Cam Timing for efficient performance at low rpm meaning the car sips a mere *6.2l/100km.

DRIVE SAFE

The advanced Intelligent Protection System (IPS) on the **FOCUS** uses a range of sophisticated technologies that are designed to protect you. These include an ultra-high strength steel safety cage, an Anti-Lock Braking System (ABS) with Electronic Brakeforce Distribution (EBD), Electronic Stability Programme (ESP) and Hill Launch assist.



DRIVE SMART

Modern convenience features like air conditioning and radio/CD system with USB port ensure journeys are enjoyed comfortably.



ADDITIONAL WHY-BUYS

- Leather seats
- Front rain-sensitive wipers
- Cruise control with speed limiter
- Intelligent keyless access with Push-start button
- Auxiliary connector
- Auto-dimming rear-view mirror

Some driver assistance features and safety features described in this brochure are designed to function using sensors, which performance may be affected under certain weather or environmental conditions. For more information and guidelines please refer to the Owners' Manual.

FORD FOCUS COMPETITIVE STRENGTHS

	Ford Focus 1.6 Ambiente 5-dr	Chevrolet Cruze 1.6 LS 5-dr	VW Golf 71.2 Trendline 5-dr	Toyota Auris 1.6 XI 5-dr	Ford Strengths
Engine & Performance					
Engine Size (cc)	1596	1598	1197	1598	
Compression Ratio	11	11	10,5	10,7	
Bore x Stroke (mm)	79 x 81,4	79 x 81,5	71 x 75,6	80,5 x 78,5	
Power (kW @ rpm)	92 @ 6000	91 @ 6200	77 @ 5600	97 @ 6400	
Torque (Nm @ rpm)	159 @ 4000	155 @ 4000	175 @ 1550	160 @ 4400	
Acceleration (0-100km/h)	10,7	12,8	10,2	10	
Max Speed (km/h)	196	188	192	195	✓
*Fuel Consumption - Combined (l/100km)	6,2	6,7	4,9	6,2	
CO ₂ Emission	145g/km	157g/km	114g/km	145g/km	
Transmission					
Transmission Type	5 speed manual	5 speed manual	6 speed manual	6 speed manual	
Drive Type	Front	Front	Front	Front	
Steering & Suspension					
Power Steering	Yes	Yes	Yes	Yes	
Rake & reach adjustable steering column	Yes	Yes	Yes	Yes	
Wheels & Tyres					
Wheel Type	Steel Wheel Covers	Alloy	Alloy	Alloy	
Tyre Size	205/60 R16	205/60 R16	195/65 R15	205/55 R16	✓
Spare Tyre Size	T125/80 R16	205/60 R16	195/65 R15	-	
Dimensions & Capacity					
Length (mm)	4358	4514	4255	4275	
Width (mm)	1823	1797	1799	1760	
Wheelbase (mm)	2648	2685	2637	2600	
Front Track (mm)	1544	1544	1549	1525	
Rear Track (mm)	1534	1558	1520	1525	
Fuel Tank Capacity (l)	55	60	50	50	
Boot Capacity (l)	316	413	380	360	
Safety & Security					
Driver & Passenger airbags	Yes	Yes	Yes	Yes	
Side & curtain airbags	No	Yes	Yes	Side only	
Knee airbag	No	No	Yes	No	
ABS with EBD and EBA	Yes	Yes	Yes	Yes	
Electronic Stability Program (ESP)	Yes	Yes	Yes	No	✓
Hill Launch Assist	Yes	-	-	-	✓
Side Impact Protection Bars	Yes	Yes	Yes	Yes	
Seatbelt - Pre-tensioner	Yes	Yes	Yes	Yes	
Seatbelts - Height Adjustable	Yes	Yes	Yes	Yes	
Rear Wiper	Yes	Yes	Yes	Yes	
High Level Brake Light	Yes	Yes	Yes	Yes	
Remote Fuel Cap Opener	Capless	Yes	-	-	✓
Rear fog lamps	Yes	No	Yes	No	✓
Collapsible Steering Column	Yes	-	-	-	
ISOFIX Child Seat Attachments	Yes	Yes	Yes	Yes	
Central Locking	Remote	Remote	Remote	Remote	
Alarm	Yes	Yes	Yes	Yes	
Immobiliser	Yes	Yes	Yes	Yes	
Comfort & Convenience					
Electric Windows	Front	Front & Rear	Front	Front	
Air Conditioner	Manual	Manual	Manual	Manual	
Audio System	CD Frontloader & USB with 4 speakers	CD Frontloader, Bluetooth® & USB with 6 speakers	CD Frontloader with 8 speakers	CD Frontloader & USB with 4 speakers	✓
Towbar	Optional	Optional	Optional	Optional	
Warning - Headlight On	Yes	Yes	-	Yes	
Warranty & Service Plans					
Warranty	4yr/120 000 km	5yr/120 000 km	3yr/120 000 km	3yr/100 000 km	✓
Maintenance Plan	Optional	No	Optional	No	
Service Plan	5yr / 90 000 km	3yr/60 00 km	5yr / 90 000 km	5yr / 90 000 km	
Service Intervals	20 000 km	15 000 km	15 000 km	15 000 km	✓
Anti-corrosion Warranty	5 years	5 years	12 years	3 years	

	Ford Focus 1.6 Ambiente	Chevrolet Cruze 1.6 LS	VW Jetta 6 1.2 TSI Trendline	Toyota Corolla 1.6 Esteem	Ford Strengths
Engine & Performance					
Engine Size (cc)	1596	1598	1197	1598	
Compression Ratio	11	11	10	10,2	
Bore x Stroke (mm)	79 x 81.4	79 x 81.5	71 x 75.6	80.5 x 78.5	
Power (kW @ rpm)	92 @ 6000	91 @ 6400	77 @ 5000	90 @ 6000	√
Torque (Nm @ rpm)	159 @ 4000	154 @ 4200	175 @ 1500	154 @ 5200	
Fuel Injection Type	Electronic port	Indirect	Direct	-	
Acceleration (0-100km/h)	10.7	12.8	10.9	-	
Max Speed (km/h)	196	190	190	-	√
*Fuel Consumption - Combined (l/100km)	6.2	6.7	5.7	6.6	
CO ₂ Emission	145g/km	157g/km	134g/km	157g/km	
Transmission					
Transmission Type	5 speed manual	5 speed manual	6 speed manual	6 speed manual	
Drive Type	Front	Front	Front	Front	
Steering & Suspension					
Power Steering	Yes	Yes	Yes	Yes	
Rake & reach adjustable steering column	Yes	Yes	Yes	Yes	
Wheels & Tyres					
Wheel Type	Steel Wheel Covers	Alloy	Alloy	Full Plastic Covers	
Tyre Size	205/60 R16	205/60 R16	205/55 R16	195/65 R15	√
Spare Tyre Size	T125/80 R16	205/60 R16	205/55 R16	195/65 R15	
Dimensions & Capacity					
Length (mm)	4534	4603	4644	4620	
Width (mm)	1823	1797	1778	1755	
Wheelbase (mm)	2648	2685	2651	2700	
Front Track (mm)	1544	1544	1535	1535	
Rear Track (mm)	1534	1558	1538	1535	
Fuel tank capacity (l)	55	60	55	55	
Boot capacity (l)	421	469	510	452	
Safety & Security					
Driver & Passenger airbags	Yes	Yes	Yes	Yes	
Side airbags	No	Yes	Yes	Side only	
Curtain airbags	No	Yes	Yes	No	
ABS with EBD and EBA	Yes	Yes	Yes	Yes	
Electronic Stability Program (ESP)	Yes	Yes	Yes	No	√
Hill Launch Assist	Yes	-	Yes	-	√
Side Impact Protection Bars	Yes	Yes	Yes	-	
Seatbelt - Pre-tensioner	Yes	Yes	Yes	-	
High Level Brake Light	Yes	No	-	Yes	
Remote Fuel Cap Opener	Capless	Manual	Yes	-	√
Rear fog lamps	Yes	No	Yes	No	√
Luggage Net / Cover	Cover	No	Net	No	√
ISOFIX Child Seat Attachments	Yes	Yes	Yes	Yes	
Central Locking	Remote	Remote	Remote	Remote	
Alarm	Yes	Yes	Yes	Yes	
Immobiliser	Yes	Yes	Yes	Yes	
Comfort & Convenience					
Electric Windows	Front	Front & Rear	Front & Rear	Front & Rear	
Air Conditioner	Manual	Manual	Manual	Manual	
Audio System	CD Frontloader & USB with 4 speakers	CD Frontloader, Bluetooth® & USB with 6 speakers	CD Frontloader with 8 speakers	CD Frontloader, DVD, USB with 6 speakers	
Warranty & Service Plans					
Warranty	4yr/120 000km	5yr / 120 000km	3yr/120 000km	3yr/100 000km	
Maintenance Plan	Optional	-	Optional	No	
Service Plan	5yr / 90 000km	3yr / 60 000km	5yr / 90 000km	5yr / 90 000km	
Service Intervals	20 000km	15 000km	15 000km	15 000km	√
Anti-corrosion Warranty	5 years	5 years	12 years	3 years	

FORD FOCUS ST COMPETITIVE STRENGTHS



DRIVE QUALITY

The 2.0l EcoBoost engine in the all-new **FOCUS ST** provides exceptional performance, with an exhilarating 184kW of power and 360Nm of torque in a high-performance sports package.

The extra power at your command is always under your control. An innovative new, ultra-quick, ultra-responsive Sport Steering System enables you to take corners and negotiate traffic circles, without having to re-position your hands. You can accelerate through corners with maximum grip, thanks to enhanced Torque Vectoring Control, which constantly re-balances power and braking between the two front wheels.

The segment exclusive Recaro Sports Seats offer unrivalled shoulder and torso support ergonomically enveloping the high performance driver.

Sizzling hot design is both visually appealing and functional from the bold trapezoidal grill with Active Grill Shutters to the large integrated roof spoiler for added down-force at speed.

DRIVE GREEN

Ford's new EcoBoost technology offers up to *20% better fuel economy and up to 15% less CO₂ emissions without sacrificing on power. This allows the engine to achieve an amazing *7.2l/100km.

Developed and tested in Ford's own advanced wind tunnel, the **FOCUS ST**'s streamlined styling delivers improved aerodynamics for less drag, which improves performance, handling and fuel economy.

DRIVE SAFE

Three-mode ESC. There if ever you need it. When switched fully on, Electronic Stability Control (ESC) constantly monitors your vehicle's progress. It senses any deviations from your chosen driving line, such as if you start to skid, and automatically corrects your road position, helping you maintain control of the car.

The advanced Intelligent Protection System (IPS) on the **FOCUS ST** uses a range of sophisticated technologies that are designed to protect you. These include an ultra-high strength steel safety cage, an Anti-Lock Braking System (ABS) with Electronic Brakeforce Distribution (EBD), Electronic Stability Programme (ESP) and 6 airbags.

DRIVE SMART

The exclusive SYNC[®] multimedia system enables you to make hands free calls while the voice control technology lets you control your Bluetooth[®] compatible mobile phone and the car's audio system with the sound of your voice.

Extra gauges to monitor engine performance. The **FOCUS ST** has a cluster of three additional gauges at the top of the instrument panel. They enable you to monitor the engine more precisely, showing the Turbo boost up to **1.8 Bar**, the oil temperature and oil pressure.



ADDITIONAL WHY-BUYS

- Keyless entry
- Rain sensitive wipers
- Auto headlamps
- Recaro full leather seats
- Power Driver & Passenger seats
- Rain sensitive wipers
- Bi-Xenon Headlamps with LED daytime running lights

Some driver assistance features and safety features described in this brochure are designed to function using sensors, which performance may be affected under certain weather or environmental conditions. For more information and guidelines please refer to the Owners' Manual.

	Ford Focus 2.0 EcoBoost ST1	Renault Megane III Collection RS 265 2.0 Sport	VW Golf 7 2.0 TSi Gti	Ford Strengths
Engine & Performance				
Engine Size (cc)	2000	1998	1984	
Power (kW @ rpm)	184 @ 5500	195 @ 5500	162 @ 5300	
Torque (Nm @ rpm)	360 @ 2000	360 @ 3800	350 @ 1700	✓
Aspiration	Turbocharger	Turbocharger	Turbocharger	
Fuel Injection Type	Direct	Indirect	Direct	
Acceleration (0-100km/h)	6.5	6.0	6.5	
Max Speed (km/h)	248	250	246	
*Fuel Consumption - Combined (l/100km)	7.2	8.3	6	
CO ₂ Emission	169g/km	190g/km	139g/km	
Transmission				
Transmission Type	6 speed manual	6 speed manual	6 speed manual	
Drive Type	Front	Front	Front	
Steering & Suspension				
Power Steering	Yes	Yes	Yes	
Steering Wheel - Leather & Sports	Yes	Yes	Yes	
Steering wheel mounted audio control	Audio, cruise control, Bluetooth® & voice control	Audio & cruise control	Audio & cruise control	
Rake & reach adjustable steering column	Yes	Yes	Yes	
Sports Suspension	Yes	Yes	Yes	
Wheels & Tyres				
Wheel Type	Alloy	Alloy	Alloy	
Tyre Size	235/40 R18	225/40 R18	225/40 R18	
Spare Tyre Size	Space saver	-	Space saver	
Tyre Pressure Monitor	Yes	-	Yes	
Dimensions & Capacity				
Kerb Mass (kg)	1362	-	1367	
Length (mm)	4362	4299	4268	
Width (mm)	2010	2037	1799	
Ground Clearance (mm)	120	120	133	
Wheelbase (mm)	2648	2636	2631	
Front Track (mm)	1544	1588	1538	
Rear Track (mm)	1543	1545	1516	
Fuel Tank Capacity (l)	55	60	50	
Boot Capacity (l)	316	344	380	
Doors	5	3	5	✓
Turning Circle (m)	12	11.35	10.9	
Safety & Security				
Dual front airbags, side & curtain airbags	Yes	Yes	Yes	
Knee airbag	No	No	Yes	
ABS with EBD and EBA	Yes	Yes	Yes	
Electronic Stability Program (ESP)	Yes	Yes	Yes	
Hill Launch Assist	Yes	-	Yes	✓
Side Impact Protection Bars	Yes	Yes	Yes	
Rear Wiper	Yes	Yes	Yes	
High Level Brake Light	Yes	Yes	Yes	
Fog Lamps - Front & Rear	Yes	No	Yes	
Headlight Type	Halogen	Halogen	Halogen	
ISOFIX Child Seat Attachments	Yes	Yes	Yes	
Central Locking	Remote	Remote	Remote	
Alarm	Yes	No	Yes	✓
Immobiliser	Yes	Yes	Yes	
Keyless Entry & Start	Entry only	Both	Entry Optional	✓
Remote Fuel Cap Opener	Capless refuelling system	Yes	-	✓
Comfort & Convenience				
Audio System	CD Frontloader, USB with 6 speakers	CD Frontloader, USB, iPod connection with 4 speakers	CD Frontloader with 8 speakers	
Air Conditioner	Manual	Automatic	Automatic	
Anti-dazzle Rear View Mirror	Manual	-	Automatic	
Bluetooth®	Yes with Voice Control	Yes	Yes	✓
Cruise Control	Yes	Yes	Yes	
Electric Mirrors	Yes	Yes	Yes	
Electric Windows	Front & Rear	Front	Front & Rear	✓
Power Socket	Front & Rear	-	Boot	✓
Warning - Headlight On	Yes	-	Auto-off	
Trip computer	Yes	Yes	Yes	
Split Rear Seats	Yes	Yes	Yes	
Sports Seats	Front & Rear	Front	Front	✓
Warranty & Service Plans				
Warranty	4yr / 120 000 km	5yr / 150 000 km	3yr / 120 000 km	
Maintenance Plan	Optional	No	Optional	
Service Plan	5yr / 90 000 km	5yr / 100 000 km	5yr / 90 000 km	
Service Intervals	20 000 km	15 000 km	15 000 km	✓
Anti-corrosion Warranty	5 years	6 years	12 years	

FORD KUGA COMPETITIVE STRENGTHS



DRIVE QUALITY

EcoBoost engine technology turns traditional petrol engine thinking on its head. Its advanced combination of direct injection and turbocharging delivers small engine fuel economy and big engine power in one – so you don't have to compromise on either.

Stay in touch every second you're driving, with state-of-the-art Ford SYNC® voice activated control and connectivity technology. It lets you make and take mobile phone calls, hands-free, using the simplest voice commands. It can even read out text messages you've been sent. Likewise, you can control your music on your iPod or MP3 Player, just by using your voice.

With up to 1,500kg of maximum towing* capacity the KUGA served up substantial pulling power that is ever mindful of safety with built in features like Hill Launch Assist and Trailer Sway Control.

(Accessory tow bar is available from your Ford Dealer)

DRIVE GREEN

Auto-Stop/Start. The KUGA does it for you automatically improving your fuel economy from *4% to 10%. Ford EcoMode. This smart software monitors your driving style and displays its impact on the cars fuel economy.

DRIVE SAFE

The KUGA is one of the safest mid-size SUV's on sale in South Africa. Boasting 7 airbags, Anti-Lock Braking System (ABS) with Electronic Brakeforce Distribution (EBD), Electronic Stability Programme (ESP) and Hill Launch assist as standard features across the range.

DRIVE SMART

Adjustable load floor. Lower the floor to make storage space deeper or raise it with the rear seats folded down to create a flat load floor.



ADDITIONAL WHY-BUYS

- Rear parking sensors with audio warning
- Blind Spot Detection System (BLIS)
- Intelligent keyless access with Push-start button
- Hands-free power liftgate
- Active City Stop
- Lane Departure Warning with Lane Keeping Aid

Some driver assistance features and safety features described in this brochure are designed to function using sensors, which performance may be affected under certain weather or environmental conditions. For more information and guidelines please refer to the Owners' Manual.

	Ford Kuga 1.6 EcoBoost Ambiente	VW Tiguan 1.4 TSI Trend&Fun	Toyota RAV4 2.0 GX	Ford Strengths
Engine & Performance				
Engine Size (cc)	1597	1390	1987	
Fuel Injection Type	Direct	Direct	Direct	
Engine Start/Stop Technology	Yes	Yes	No	✓
Power (kW @ rpm)	110 @ 5700	90 @ 5000	107 @ 6200	
Torque (Nm @ rpm)	240 @ 1600	200 @ 1500	187 @ 3600	
Acceleration (0-100km/h)	9.7	10.9	10.2	
Max Speed (km/h)	195	184	180	
*Fuel Consumption - Combined (l/100km)	6.6	6.5	7.7	
CO ₂ Emission	154g/km	152g/km	179g/km	
Transmission				
Transmission Type	6 speed manual	6 speed manual	6 speed manual	
Drive Type	Front	Front	Front	
Steering & Suspension				
Power Steering	Yes	Yes	Yes	
Steering Wheel - Leather	Yes	Yes	No	✓
Steering Wheel - Multifunction	Audio, telephone, cruise control	Audio, telephone control & computer	Audio and cellphone	✓
Steering Column - Depth Adjustable	Yes	Yes	Yes	
Steering Column - Height Adjustable	Yes	Yes	Yes	
Wheels & Tyres				
Wheel Type	Alloy	Alloy	Alloy	✓
Tyre Size	235/55 R17	215/65 R16	225/65 R17	✓
Spare Tyre Size	Space saver	Space saver	Full tyre	
Dimensions & Capacity				
Length (mm)	4524	4427	4570	
Width (mm)	1838	1809	1845	
Ground Clearance (mm)	197.2	200	187	
Wheelbase (mm)	2690	2604	2660	
Front Track (mm)	1563	1570	1570	
Rear Track (mm)	1565	1570	1570	
Fuel Tank Capacity (l)	60	64	60	
Boot Capacity (l)	456	471	476	
Safety & Security				
Driver and Passenger airbags	Yes	Yes	Yes	
Side & curtain airbags	Yes	Yes	Yes	✓
Knee airbag	Yes	No	Yes	✓
Side Impact Protection Bars	Yes	Yes	Yes	
ABS with EBD and EBA	Yes	Yes	Yes	
Electronic Stability Program (ESP)	Yes	Yes	Yes	✓
Hill Launch Assist	Yes	Yes	Yes	✓
Front fog lamps	Yes	Optional	No	✓
Rear fog lamps	Yes	Yes	Yes	
Headlight Type	Halogen	Halogen	Halogen	
Luggage Net / Cover	Cover	Both	Both	
Central Locking	Remote	Remote	Remote	
Alarm	Yes	Yes	Yes	✓
Immobiliser	Yes	Yes	Yes	
Keyless Entry & Start	Start only	No	No	✓
Comfort & Convenience				
Air Conditioner	Semi-Automatic	Semi-Automatic	Manual	✓
Audio System	CD Frontloader, USB & Aux with 6 speakers	CD Frontloader with 8 speakers	CD Frontloader & USB with 6 speakers	
Bluetooth®	Yes with Voice Control	Yes	Yes	✓
Cruise Control	Yes	Yes	No	✓
Electric Windows	Front & Rear	Front & Rear	Front & Rear	
Power Socket	Front, Rear & Boot	Front, Rear & Boot	Front	✓
Remote Fuel Cap Opener	Capless refuelling system	-	-	✓
Roof Rails	Yes	Optional	Yes	✓
Lumbar Support	Front	Front	No	✓
Sports Seats	Front	No	No	✓
Warranty & Service Plans				
Warranty	4yr / 120 000 km	3yr / 120 000 km	3yr / 100 000 km	
Maintenance Plan	Optional	5 years	Optional	
Service Plan	4yr / 80 000 km	-	5yr / 90 000 km	
Service Intervals	20 000 km	15 000 km	15 000 km	✓
Anti-corrosion Warranty	5 years	12 years	3 years	

FORD EVEREST COMPETITIVE STRENGTHS



DRIVE QUALITY

Rugged front grille and fog lamp housing with sleek modern finishes give you a superior driving feel.

Better grip, better performance and stability with the 18" alloy wheels.

The comfort inside the new **EVEREST** contrasts with the harsh terrain outside.

With innovative storage and slick interiors, the ride will be as relaxing as can be.

Fine aesthetic interior with silver decorative dashboard and door inlays.

Sit on exquisite charcoal leather seats. Pre-tensioning seatbelts will keep you safe in hard braking conditions.

DRIVE SAFE

The new **EVEREST** comes packed with technology that makes it one of the most capable SUVs off road.

The 4x4 derivatives have high ground clearance, a high trail suspension and Limited Slip Diff (LSD), while wider side impact beams give the **EVEREST** better weight distribution and stability on the ground

The new **EVEREST** is built to ensure that in whatever terrain, it lives up to the challenge. Get used to the feeling of authority with the perfect combination of power, style, comfort and safety.

Streamlined headlamps and a refined fog lamp design provide maximum driving safety.

EVEREST is a full 7 seater SUV that has enough space to comfortably seat 7 adults.



ADDITIONAL WHY-BUYS

- Full 7 seater SUV
- Cruise Control available on certain models
- Steering Wheel Audio controls
- LSD on certain derivatives
- Leather seats standard on all models

Some driver assistance features and safety features described in this brochure are designed to function using sensors, which performance may be affected under certain weather or environmental conditions. For more information and guidelines please refer to the Owners' Manual.

	Ford Everest 3.0 TDCi XLT	Toyota Fortuner 3.0 D-4D RB	Chevrolet Trailblazer 2.5 LT SUV	Ford Strengths
Engine & Performance				
Engine Size (cc)	2953	2982	2449	
Power (kW @ rpm)	115@3200	120@3400	110@3800	
Torque (Nm @ rpm)	380@1800	343@1600-3200	350@2000	√
*Fuel Consumption - Combined (l/100km)	9.2	8.5	8	
CO ₂ Emission	246g/km	226g/km	215g/km	
Transmission				
Transmission Type	Manual	Manual	Manual	
Drive Type	Rear	Rear	Rear	
Number of Gears	5	5	5	
Wheels & Tyres				
Wheel Type	Alloy	Alloy	Alloy	
Rim Size - Front & Rear	7JJ x 16	7.5J x 17	6.5J x 16	
Spare Wheel Cover	Yes	No	No	√
Dimensions & Capacity				
Kerb Mass (kg)	1894	1830	1950	
Length (mm)	5060	4705	4878	
Width (mm)	1788	1840	1902	
GVM (mm)	2605	2505	2620	√
Breakover Angle	24	-	22	
Fuel Tank Capacity (l)	71	80	76	
Safety & Security				
Driver Airbag	Yes	Yes	Yes	
Passenger Airbag	Yes	Yes	Yes	
Side Airbag	Yes	Yes	Yes	
Immobiliser	Yes	Yes	Yes	
Hill Launch Assist	No	No	Yes	
Comfort & Convenience				
Air Conditioner	Manual	Automatic	Manual	
Audio System	CD Frontloader + USB	CD Frontloader + USB	CD Frontloader + USB	
Leather Seats	Full	Full	No	
Split Rear Seats	No	Yes	Yes	
Towbar	No	Yes	No	
Warranty & Service Plan				
Warranty	4yr/120 000 km	3yr/100 000 km	5yr/120 000 km	
Maintenance Plan	No	5yr/200 000 km	No	
Service Plan	5yr/90 000 km	5yr/90 000 km	5yr/90 000 km	
Service Intervals	10 000 km	10 000 km	15 000 km	
Anti-corrosion Warranty	5 years	3 years	5 years	



FORD RANGER SINGLE CAB COMPETITIVE STRENGTHS



DRIVE QUALITY

At Ford quality is one of the pillars on which we have built our brand. With this in mind the Ford **RANGER**, voted 2013 International Pickup of the Year, has been designed to be aerodynamic, stylish and functional. With an increased load capacity of up to 1 200kgs and 1.8 cubic metres, an increased towing capacity of up to 3 500kgs and increased interior space, one can safely say that we have increased the quality of our offering. We also offer three different powertrains with four different power and torque configurations:

- 2.5 Petrol with 122kW and 226Nm
- 2.2 Diesel with 88kW and 285Nm or 110kW and 275Nm
- 3.2 Diesel with 147kW and 470Nm

To ensure that you can overcome any obstacles the journey may throw at you all high rider Rangers come with a water wading capability of 800mm with a full load and a ground clearance of 237mm. And the quality doesn't stop with the vehicle. The Ford Ranger Single Cab comes with a 4 year/120 000km warranty, a 3 year unlimited km roadside assistance benefit and a 5 year/90 000km service plan. (Service plan optional on Base models)

DRIVE GREEN

While charging over all sorts of terrain it is nice to know that the Ford **RANGER** Single Cab has excellent fuel consumption, with *7.9L/100km being achieved with certain models, and low CO₂ emission starting from 199g/km.

DRIVE SAFE

The safety features on the Ford **RANGER** Single Cab come in many shapes and forms. ABS/EBD and dual airbags are available across the single cab line-up, while ESP with roll over mitigation, trailer sway control, traction control, Emergency Brake Assist, Hill Launch Assist and Adaptive Load Control are available on select Single Cab models. But it doesn't stop there. The comfort of a passenger car in a commercial vehicle reduces driver fatigue, and quieter interiors with superb NVH levels allow the driver to focus on the road.

DRIVE SMART

While all Ford **RANGER** Single Cab models are fitted with an engine immobiliser and central locking, select models also come with a perimeter alarm, remote control locking and drive away locking. Over and above the standard radio and speakers, select models also have the option of AUX, USB, CD and Bluetooth to keep you connected.



ADDITIONAL WHY-BUYS

- ESP^{*} • Roll over mitigation^{*} • Hill Launch assist^{*} • Trailer Tow sway^{*} • Load adaptive control^{*} • Emergency brake assist^{*} • Traction control^{*} • Bluetooth[®] /Aux and USB^{*}
- Dual Airbags • Air conditioner • ABS and EBD • 3 series with 3 different powertrains and 4 available power and torque configurations

^{*} Available on certain Single Cab Rangers

Some driver assistance features and safety features described in this brochure are designed to function using sensors, which performance may be affected under certain weather or environmental conditions. For more information and guidelines please refer to the Owners' Manual.

	Ford Ranger 2.5i Base	Nissan NP300 Hardbody 2.0 LWB	Toyota Hilux 2.0 VVT-i	Ford Strengths
Engine & Performance				
Engine Size (cc)	2488	1998	1998	✓
Power (kW @ rpm)	122@5500	84@5600	100@5600	✓
Torque (Nm @ rpm)	226@4500	169@3200	182@4000	✓
*Fuel Consumption - Combined (l/100km)	9.8	10	-	✓
CO ₂ Emission	235g/km	237	EU2	✓
Transmission				
Transmission Type	Manual	Manual	Manual	
Drive Type	Rear	Rear	Rear	
Number of Gears	5	5	5	
Wheels & Tyres				
Wheel Type	Steel	Steel	Steel	
Dimensions & Capacity				
Length (mm)	5274	5175	5135	✓
Width (mm)	2163	1690	1760	✓
Height (mm)	1703	1620	1720	
Ground Clearance (mm)	135	180	181	
Turning Circle (m)	12.7	11.2	11.8(Tyres)	
Approach Angle	17.3	-	22	
Breakover Angle	13.4	-	-	
Departure Angle	17.8	-	20	
GCM (kg)	4625	3980	4125	✓
GVM (kg)	2925	2730	2625	✓
Payload (kg)	1077	1359	1115	
Legal Towing Weight - Braked (kg)	1500	1250	1500	
Fuel Tank Capacity (l)	80	75	80	
Safety & Security				
ABS	Optional	No	No	
Driver Airbag	Optional	No	No	
Passenger Airbag	Optional	No	No	
Central Locking	Key	No	No	✓
Alarm	No	-	Yes	
Immobiliser	Yes	Yes	Yes	
Comfort & Convenience				
Air Conditioner	Optional	No	Optional	
Audio System	Yes	No	No	✓
Warranty & Service Plan				
Warranty	4yr/120 000 km	3yr/100 000 km	3yr/100 000 km	✓
Maintenance Plan	No	No	Optional	
Service Plan	Optional	3yr/90 000 km	5yr/90 000 km	
Service Intervals	15 000 km	15 000 km	10 000 km	✓
Anti-corrosion Warranty	5 years	3 years	3 years	

FORD RANGER SINGLE CAB COMPETITIVE STRENGTHS

	Ford Ranger 2.2TDCi Mid Power Base Lo-Rider	Nissan NP300 Hardbody 2.5TDi LWB	Toyota Hilux 2.5 D-4D S	Isuzu KB250C	Ford Strengths
Engine & Performance					
Engine Size (cc)	2198	2488	2494	2499	
Cylinders	4	4	4	4	
Power (kW @ rpm)	88@3700	98@3600	75@3600	58@3800	
Torque (Nm @ rpm)	285@1500	304@2000	200@1400	170@1800	
*Fuel Consumption - Combined (l/100km)	7.6	8	-	7.7	✓
CO ₂ Emission	203g/km	211	EU2	203g/km	
Transmission					
Transmission Type	Manual	Manual	Manual	Manual	
Drive Type	Rear	Rear	Rear	Rear	
Number of Gears	5	5	5	5	
Wheels & Tyres					
Wheel Type	Steel	Steel	Steel	Steel	
Rim Size - Front & Rear	7J x 16	6J x 14	6JJ x 15	6J x 15	
Dimensions & Capacity					
Length (mm)	5274	5175	5135	5218	✓
Width (mm)	2163	1690	1760	1766	✓
Height (mm)	1703	1620	1720	1690	
Ground Clearance (mm)	135	185	181	224	
Turning Circle (m)	12.7	-	11.8 (Tyres)	12.3	
Approach Angle	17,3	11,2	22	30	
Departure Angle	17,8	-	20	17,2	
GCM (kg)	5125	4130	4210	4450	✓
GVM (kg)	2925	2730	2710	2850	✓
Payload (kg)	1077	1240	1090	1090	
Legal Towing Weight - Braked (kg)	1500	1400	1500	2100	
Load Area Length (mm)	2317	2220	2315	2318	
Load Area Width (mm)	1139	1466	1520	1534	
Load Area Depth (mm)	511	428	450	440	✓
Fuel Tank Capacity (l)	80	75	80	80	
Safety & Security					
ABS	Optional	No	Yes	No	
Driver Airbag	Optional	No	Yes	No	
Passenger Airbag	Optional	No	Yes	No	
Side Airbag	No	No	No	No	
Central Locking	Remote	No	No	No	✓
Alarm	No	-	Yes	No	
Immobiliser	Yes	Yes	Yes	Yes	
Comfort & Convenience					
Air Conditioner	Optional	No	Optional	No	
Front Seat Type	Split-Bench	Bench	Individual	Split-bench	
Audio System	Radio	No	No	No	✓
Sliding Rear Window	Yes	No	No	Optional	✓
Towbar	No	-	No	No	
Warranty & Service Plan					
Warranty	4yr/120 000 km	6yr/150 000 km	3yr/100 000 km	5yr/120 000 km	
Maintenance Plan	No	No	Optional	No	
Service Plan	Optional	3yr/90 000 km	5yr/90 000 km	5yr/90 000 km	
Service Intervals	15 000 km	15 000 km	10 000 km	15 000 km	
Anti-corrosion Warranty	5 years	3 years	3 years	5 years	

	Ford Ranger 2.2TDCi Mid Power XL 4x4	Nissan NP300 Hardbody 2.5TDi 4x4	Toyota Hilux 2.5 D-4D 4x4 SRX	Isuzu KB250 LE 4x4	Ford Strengths
Engine & Performance					
Engine Size (cc)	2198	2488	2494	2499	
Cylinders	4	4	4	4	
Power (kW @ rpm)	88@3700	98@3600	75@3600	85@3600	
Torque (Nm @ rpm)	285@1500	304@2000	260@1600	280@1800	
*Fuel Consumption - Combined (l/100km)	7.6	9.4	-	7.9	√
CO ₂ Emission	203g/km	247g/km	EU2	208g/km	
Transmission					
Transmission Type	Manual	Manual	Manual	Manual	
Drive Type	4x4	4x4	4x4	4x4	
Number of Gears	5	5	5	5	
Electronic Differential Lock	Yes	-	Yes	Yes	
Limited Slip Differential	-	Yes	-	-	
Wheels & Tyres					
Wheel Type	Steel	Steel	Steel	Alloy	
Rim Size - Front & Rear	6.5 x 16	6.5J x 15	6J x 16	7J x 16	
Dimensions & Capacity					
Length (mm)	5274	5170	5260	5314	
Width (mm)	2163	1825	1835	1860	√
Height (mm)	1806	1695	1835	1790	
Ground Clearance (mm)	237	225	212	224	√
Turning Circle (m)	12.7	12	12.4 (Tyres)	12.7	
Approach Angle	25.5	-	30	30	
Breakover Angle	18.5	-	-	22.4	
Departure Angle	21.8	-	23	22.4	
GCM (kg)	4800	4140	4220	4950	
GVM (kg)	3200	2740	2670	2950	√
Payload (kg)	1232	1024	870	1076	√
Legal Towing Weight - Braked (kg)	1600	1400	1500	2100	
Load Area Length (mm)	2317	2220	2315	2318	
Load Area Width (mm)	1560	1466	1520	1534	
Load Area Depth (mm)	511	428	450	440	√
Fuel Tank Capacity (l)	80	75	80	80	
Safety & Security					
ABS	Yes	Yes	Yes	Yes	
Driver Airbag	Yes	Yes	Yes	Yes	
Passenger Airbag	Yes	Yes	Yes	Yes	
Side Airbag	No	No	No	No	
Central Locking	Remote	No	Remote	Remote	
Alarm	No	-	Yes	Yes	
Immobiliser	Yes	Yes	Yes	Yes	
Comfort & Convenience					
Air Conditioner	Manual	Manual	Manual	Manual	
Front Seat Type	Split-Bench	Bench	Individual	Individual	
Audio System	CD Frontloader	No	CD Frontloader	CD Frontloader + USB	
Sliding Rear Window	Yes	No	Yes	Optional	
Towbar	Yes	No	Preparation	No	√
Warranty & Service Plan					
Warranty	4yr/120 000 km	6yr/150 000 km	3yr/100 000 km	5yr/120 000 km	
Maintenance Plan	No	No	Optional	No	
Service Plan	5yr/90 000 km	3yr/90 000 km	5yr/90 000 km	5yr/90 000 km	
Service Intervals	15 000 km	15 000 km	10 000 km	15 000 km	
Anti-corrosion Warranty	5 years	3 years	3 years	5 years	

FORD RANGER SUPER CAB COMPETITIVE STRENGTHS



DRIVE QUALITY

At Ford quality is one of the pillars on which we have built our brand. With this in mind the Ford **RANGER**, voted 2013 International Pickup of the Year, has been designed to be aerodynamic, stylish and functional. With an increased load capacity of up to 1 200kgs and 1.45 cubic metres, an increased towing capacity of up to 3 500kgs and increased front and rear interior space, one can safely say that we have increased the quality of our offering. We also offer three different powertrains with three different power and torque configurations:

- 2.5 Petrol with 122kW and 226Nm
- 2.2 Diesel with 110kW and 275Nm
- 3.2 Diesel with 147kW and 470Nm

To ensure that you can overcome any obstacles the journey may throw at you all high rider Rangers come with a water wading capability of 800mm with a full load and a ground clearance of 237mm. And the quality doesn't stop with the vehicle. The Ford Ranger Super Cab comes with a 4 year/120 000km warranty, a 3 year unlimited km roadside assistance benefit and a 5 year/90 000km service plan.

DRIVE GREEN

While charging over all sorts of terrain it is nice to know that the Ford **RANGER** Super Cab has excellent fuel consumption, with *9.1L/100km being achieved with certain models, and low CO₂ emission starting from 238g/km.

DRIVE SAFE

The safety features on the Ford **RANGER** Super Cab come in many shapes and forms. ABS/EBD, dual airbags are available across the Super Cab line-up, while ESP with roll over mitigation, trailer sway control, traction control, Emergency Brake Assist, Hill Launch Assist, Adaptive Load Control and Hill Descent Control are available on select Super Cab models. But it doesn't stop there. The comfort of a passenger car in a commercial vehicle reduces driver fatigue, and quieter interiors with superb NVH levels allow the driver to focus on the road.

DRIVE SMART

While all Ford **RANGER** Super Cab models are fitted with an engine immobiliser and central locking, select models also come with a perimeter alarm, remote control locking and drive away locking. Over and above the Radio/CD/MP3/AUX and speakers, select models also have the option of USB and Bluetooth to keep you connected. All Super Cabs also have rear doors that open at a 90 degree angle giving effortless access to its spacious and cleverly designed interior and rear storage compartments.



ADDITIONAL WHY-BUYS

- ESP^o • Roll over mitigation^o • Hill Launch assist^o • Trailer Tow sway^o • Load adaptive control^o • Emergency brake assist^o • Traction control^o • Bluetooth^o /Aux and USB^o
- Dual Airbags • Air conditioner • ABS and EBD • Radio CD/MP3/Aux • Rear swing doors and storage compartments
- 2 series with 3 different powertrains and 3 available power and torque configurations

^o Available on certain Super Cab Rangers

Some driver assistance features and safety features described in this brochure are designed to function using sensors, which performance may be affected under certain weather or environmental conditions. For more information and guidelines please refer to the Owners' Manual.

	Ford Ranger Super Cab 2.2TDCi Hi-Power XL Hi-Rider 4x2	Toyota Hilux 2.5 D-4D SRX X-Cab	Nissan Navara 2.5 DCi XE King Cab	Isuzu KB250 LE Ex-Cab	Ford Strengths
Engine & Performance					
Engine Size (cc)	2198	2494	2488	2499	
Cylinders	4	4	4	4	
Power (kW @ rpm)	110@3700	75@3600	106@4000	85@3600	✓
Torque (Nm @ rpm)	375@1500	260@1600	356@2000	280@1800	✓
*Fuel Consumption - Combined (l/100km)	-	-	7	7.7	
CO ₂ Emission	EU2	EU2	229g/km	203g/km	
Transmission					
Transmission Type	Manual	Manual	Manual	Manual	
Drive Type	Rear	Rear	Rear	Rear	
Number of Gears	6	5	6	5	
Electronic Differential Lock	Optional	No	Yes	Optional	
Wheels & Tyres					
Wheel Type	Steel	Steel	Alloy	Alloy	
Rim Size - Front & Rear	6.5J x 16	6J x 15	7J x 16	7J x 16	
Dimensions & Capacity					
Length (mm)	5274	5260	5220	5294	
Width (mm)	2163	1760	1850	1860	✓
Height (mm)	1810	1720	1770	1790	✓
Ground Clearance (mm)	237	181	235	224	✓
Turning Circle (m)	12.7	11.8 (Tyres)	13.2	12.7	
Approach Angle	25.5	21	29	30	
Breakover Angle	18.5	-	18	22.4	
Departure Angle	21.8	18	22	22.7	
GCM (kg)	4725	4115	4805	4450	
GVM (kg)	2925	2615	2805	2850	✓
Payload (kg)	1092	1000	904	997	✓
Legal Towing Weight - Braked (kg)	1800	1500	2000	2100	
Load Area Length (mm)	1847	1805	1840	1795	✓
Load Area Width (mm)	1560	1515	1560	1534	
Load Area Depth (mm)	511	450	457	465	✓
Fuel Tank Capacity (l)	80	80	80	80	
Safety & Security					
ABS	Yes	Yes	Yes	Yes	
ESP	Yes	No	No	No	✓
Driver Airbag	Yes	Yes	Yes	Yes	
Passenger Airbag	Yes	Yes	Yes	Yes	
Side Airbag	No	No	No	No	
Central Locking	Remote	Remote	Remote	Remote	
Alarm	Yes	Yes	No	Yes	
Immobiliser	Yes	Yes	Yes	Yes	
Comfort & Convenience					
Air Conditioner	Manual	Manual	Manual	Manual	
Towbar	Yes	No	Optional	Yes	
Sliding Rear Window	Yes	Yes	No	Yes	
Audio System	CD Frontloader	CD Frontloader	CD Frontloader	CD Frontloader + USB	
Bluetooth®	No	No	No	Yes	
Warranty & Service Plan					
Warranty	4yr/120 000 km	3yr/100 000 km	3yr/100 000 km	5yr/120 000 km	
Maintenance Plan	No	Optional	No	No	
Service Plan	5yr/90 000 km	5yr/90 000 km	3yr/90 000 km	5yr/90 000 km	
Service Intervals	15 000 km	10 000 km	15 000 km	15 000 km	
Anti-corrosion Warranty	5 years	3 years	3 years	5 years	

FORD RANGER SUPER CAB COMPETITIVE STRENGTHS

	Ford Ranger Super Cab 3.2 XLS Hi-Rider	Toyota Hilux 3.0 D-4D RB Raider X-Cab	Isuzu KB300 LX Ex-Cab	Ford Strengths
Engine & Performance				
Engine Size (cc)	3198	2982	2999	✓
Cylinders	5	4	4	✓
Power (kW @ rpm)	147@3000	120@3400	130@3600	✓
Torque (Nm @ rpm)	470@1500	343@1400	380@1800	✓
*Fuel Consumption - Combined (l/100km)	9.3	-	7.8	
CO ₂ Emission	245	EU2	204g/km	
Transmission				
Transmission Type	Manual	Manual	Manual	
Drive Type	Rear	Rear	Rear	
Number of Gears	6	5	5	✓
Electronic Differential Lock	Optional	No	Yes	
Wheels & Tyres				
Wheel Type	Alloy	Alloy	Alloy	
Rim Size - Front & Rear	7.5J x 16	7.5J x 17	7J x 17	
Dimensions & Capacity				
Length (mm)	5274	5260	5294	
Width (mm)	2163	1835	1860	✓
Height (mm)	1810	1845	1790	
Ground Clearance (mm)	237	227	220	✓
Turning Circle (m)	12.7	12.2 (Tyres)	12.7	
Approach Angle	25.5	30	30	
Breakover Angle	18.5	-	22.4	
Departure Angle	21.8	23	22.7	
GCM (kg)	4725	4580	6000	
GVM (kg)	3200	2580	3100	✓
Payload (kg)	1050	810	1180	
Legal Towing Weight - Braked (kg)	3500	2000	3500	
Legal Towing Weight - Unbraked (kg)	750	750	750	
Load Area Length (mm)	1847	1805	1795	✓
Load Area Width (mm)	1560	1515	1534	
Load Area Depth (mm)	511	450	465	✓
Fuel Tank Capacity (l)	80	80	80	
Safety & Security				
ABS	Yes	Yes	Yes	
ESP	Yes	No	No	✓
Driver Airbag	Yes	Yes	Yes	
Passenger Airbag	Yes	Yes	Yes	
Side Airbag	Yes	No	No	✓
Central Locking	Remote	Remote	Remote	
Alarm	Yes	Yes	Yes	
Immobiliser	Yes	Yes	Yes	
Comfort & Convenience				
Air Conditioner	Manual	Manual	Automatic	
Audio System	CD Frontloader	CD Frontloader	CD Frontloader + USB	
Bluetooth®	Yes	Yes	No	
Sliding Rear Window	Yes	Yes	Yes	
Towbar	Yes	Preparation	Yes	
Warranty & Service Plan				
Warranty	4yr/120 000 km	3yr/100 000 km	5yr/120 000 km	
Maintenance Plan	No	No	No	
Service Plan	5yr/90 000 km	5yr/90 000 km	5yr/90 000 km	
Service Intervals	15 000 km	10000 km	15 000 km	
Anti-corrosion Warranty	5 years	3 years	5 years	



Winner of the International
Pick-Up Award 2013

RANGER



WINNER

THE NEXT GENERATION PICKUP TRUCK

The All-New **RANGER** is taking pickup truck expectations to a whole new level. With a completely redesigned interior and equipped with the latest connectivity and entertainment technologies such as Voice Control, Dual Zone Electronic Climate Control* and Bluetooth® integration, the **RANGER** is one of the most efficiently packaged pickups in its class.

*Only available on Wildtrak models.

FORD RANGER DOUBLE CAB COMPETITIVE STRENGTHS



DRIVE QUALITY

At Ford, quality is one of the pillars on which we have built our brand. With this in mind the Ford **RANGER**, voted 2013 International Pickup of the Year, has been designed to be aerodynamic, stylish and functional. With an increased load capacity of up to 1 200kgs and 1.2 cubic metres, an increased towing capacity of up to 3 500kgs and increased front and rear interior space, one can safely say that we have increased the quality of our offering. We also offer three different powertrains with three different power and torque configurations:

- 2.5 Petrol with 122kW and 226Nm
- 2.2 Diesel with 110kW and 275Nm
- 3.2 Diesel with 147kW and 470Nm

To ensure that you can overcome any obstacles the journey may throw at you all high rider Rangers come with a water wading capability of 800mm with a full load and a ground clearance of 237mm. And the quality doesn't stop with the vehicle. The Ford **RANGER** Double Cab comes with a 4 year/120 000km warranty, a 3 year unlimited km roadside assistance benefit and a 5 year/90 000km service plan.

DRIVE GREEN

While charging over all sorts of terrain it is nice to know that the Ford **RANGER** Double Cab has excellent fuel consumption, with *7.6L/100km being achieved with certain models, and low CO₂ emission starting from 199g/km.

DRIVE SAFE

The Ford **RANGER** Double Cab is the first one tonne pickup to be awarded the highly acclaimed EURO Ncap 5 Star Award, and the safety features come in many shapes and forms. ABS/EBD, dual airbags, ESP with roll over mitigation, trailer sway control and traction control are available across the Double Cab line-up. Side, curtain and knee airbags as well as Emergency Brake Assist, Hill Launch Assist, Adaptive Load Control and Hill Descent Control are available on select Double Cab models. But it doesn't stop there. The comfort of a passenger car in a commercial vehicle reduces driver fatigue, and quieter interiors with superb NVH levels allow the driver to focus on the road.

DRIVE SMART

While all Ford **RANGER** Double Cab models are fitted with an engine immobiliser and central locking, select models also come with a perimeter alarm, remote control locking, drive away locking and cruise control. And, over and above the Radio/CD/MP3/AUX and speakers, select models also have the option of USB, steering wheel mounted audio controls and Bluetooth to keep you connected.



ADDITIONAL WHY-BUYS

- ESP^o • Roll over mitigation^o • Hill Launch assist^o • Trailer Tow sway^o • Load adaptive control^o • Emergency brake assist^o • Traction control^o • Bluetooth /Aux and USB^o
- ABS and EBD • Steering Wheel Audio controls and Cruise control • Up to 7 Airbags
- 4 series with 3 different powertrains and 3 available power and torque configurations

^o Available on certain Double Cab Rangers

Some driver assistance features and safety features described in this brochure are designed to function using sensors, which performance may be affected under certain weather or environmental conditions. For more information and guidelines please refer to the Owners' Manual.

	Ford Ranger 2.5i XL Hi-Rider D-Cab	Toyota Hilux 2.7 VVT-i RB Raider D-Cab	Isuzu KB240 LE D-Cab	VW Amarok 2.0 TSi D-Cab Highline	Ford Strengths
Engine & Performance					
Engine Size (cc)	2488	2694	2405	1984	
Power (kW @ rpm)	122@5500	118@5200	112@5200	118@3800-5500	✓
Torque (Nm @ rpm)	226@4500	241@3800	233@4000	300@1600-3750	✓
*Fuel Consumption - Combined (l/100km)	8.4	10.8	10.4	9.6	✓
CO ₂ Emission	235g/km	EU2	245g/km	228g/km	
Transmission					
Transmission Type	Manual	Manual	Manual	Manual	
Drive Type	Rear	Rear	Rear	Rear	
Number of Gears	5	5	5	6	
Wheels & Tyres					
Wheel Type	Alloy	Alloy	Alloy	Alloy	
Rim Size - Front & Rear	7.5J x 16	7.5JJ x 17	7J x 16	8J x 17	
Dimensions & Capacity					
Length (mm)	5274	5260	5294	5254	
Width (mm)	2163	1835	1860	1954	✓
Height (mm)	1821	1860	1790	1834	
Ground Clearance (mm)	237	227	224	250	
Turning Circle (m)	12.7	12.6 (Tyres)	13.5	12.95	
Approach Angle	25.5	30	30	28	
Breakover Angle	18.5	-	22.4	50	
Departure Angle	21.8	23	22.7	23.6	
GCM (kg)	4625	4045	4850	5550	
GVM (kg)	2925	2545	2850	2820	✓
Payload (kg)	965	820	1060	970	
Legal Towing Weight - Braked (kg)	1700	1500	2100	2800	
Load Area Length (mm)	1549	1520	1483	1555	
Load Area Width (mm)	1560	1515	1534	1620	
Load Area Depth (mm)	511	450	465	508	✓
Fuel Tank Capacity (l)	80	80	80	80	
Safety & Security					
ABS	Yes	Yes	Yes	Yes	
ESP	Yes	No	No	Yes	
Driver Airbag	Yes	Yes	Yes	Yes	
Passenger Airbag	Yes	Yes	Yes	Yes	
Side Airbag	No	Yes	No	Yes	
Central Locking	Remote	Remote	Remote	Remote	
Alarm	No	Yes	Yes	Yes	
Immobiliser	Yes	Yes	Yes	Yes	
Comfort & Convenience					
Air Conditioner	Manual	Manual	Manual	Automatic	
Cruise Control	No	No	No	Yes	
Audio System	CD Frontloader	CD Frontloader	CD Frontloader + USB	CD Frontloader	
Bluetooth®	No	Yes	Yes	Optional	
Sliding Rear Window	Yes	Yes	Optional	No	
Towbar	Yes	Yes	Yes	Preparation	
Warranty & Service Plan					
Warranty	4yr/120 000 km	3yr/100 000 km	5yr/120 000 km	3yr/100 000 km	
Maintenance Plan	No	Optional	No	No	
Service Plan	5yr/90 000 km	5yr/90 000 km	5yr/90 000 km	5yr/90 000 km	
Service Intervals	15 000 km	10 000 km	15 000 km	15 000 km	
Anti-corrosion Warranty	5 years	3 years	5 years	6 years	

FORD RANGER DOUBLE CAB COMPETITIVE STRENGTHS

	Ford Ranger 2.2 TDCi Hi Power XL D-Cab	Toyota Hilux 2.7 VVT-i RB Raider D-Cab	Isuzu KB250 LE D-Cab	VW Amarok 2.0 BITDi D-Cab Highline	Ford Strengths
Engine & Performance					
Engine Size (cc)	2198	2494	2499	1968	
Cylinders	4	4	4	4	
Power (kW @ rpm)	110@3700	106@3600	85@3600	132@4000	
Torque (Nm @ rpm)	375@1500	343@1600	280@1800-2200	400@1500-2250	
*Fuel Consumption - Combined (l/100km)	8.4	8	7.7	7.9	
CO ₂ Emission	235g/km	229g/km	203g/km	208g/km	
Transmission					
Transmission Type	Manual	Manual	Manual	Manual	
Drive Type	Rear	Rear	Rear	Rear	
Number of Gears	6	5	5	6	
Electronic Differential Lock	Optional	Yes	Yes	Yes	
Wheels & Tyres					
Wheel Type	Alloy	Alloy	Alloy	Alloy	
Rim Size - Front & Rear	7.5J x 16	7.5JJ x 17	7J x 16	8J x 17	
Dimensions & Capacity					
Length (mm)	5274	5260	5294	5254	
Width (mm)	2163	1835	1860	1954	✓
Height (mm)	1821	1860	1790	1834	
Ground Clearance (mm)	237	4220	224	250	✓
Turning Circle (m)	12.7	2610	13.5	12.95	
Approach Angle	25.5	227	30	28	
Breakover Angle	18.5	30	22.4	50	
Departure Angle	21.8	Not Available	22.7	23.6	
GCM (kg)	4725	23	4450	5550	
GVM (kg)	2925	80	2850	2820	✓
Payload (kg)	965	12.6(Tyres)	962	932	✓
Legal Towing Weight - Braked (kg)	1800	840	2100	2800	
Load Area Length (mm)	1549	1610	1483	1555	
Load Area Width (mm)	1560	1520	1534	1620	
Load Area Depth (mm)	511	1515	465	508	✓
Fuel Tank Capacity (l)	80	450	80	80	
Safety & Security					
ABS	Yes	Yes	Yes	Yes	
ESP	Yes	Not Available	No	Yes	
Driver Airbag	Yes	Yes	Yes	Yes	
Passenger Airbag	Yes	Yes	Yes	Yes	
Side Airbag	No	Yes	No	Yes	
Central Locking	Remote	Remote	Remote	Remote	
Alarm	Yes	Yes	Yes	Yes	
Immobiliser	Yes	Yes	Yes	Yes	
Comfort & Convenience					
Air Conditioner	Manual	Automatic	Manual	Automatic	
Audio System	CD Frontloader	CD Frontloader	CD Frontloader + USB	CD Frontloader	
Bluetooth®	No	Yes	Yes	Optional	
Sliding Rear Window	Yes	Yes	Optional	No	
Towbar	Yes	Yes	Yes	Preparation	
Warranty & Service Plan					
Warranty	4yr/120 000 km	3yr/100 000km	5yr/120 000 km	3yr/100 000 km	
Maintenance Plan	No	Optional	No	No	
Service Plan	5yr/90 000 km	5yr/90 000km	5yr/90 000 km	5yr/90 000 km	
Service Intervals	15 000 km	10 000	15 000 km	15 000 km	
Anti-corrosion Warranty	5 years	3 years	5 years	6 years	

	Ford Ranger 2.2 TDCi Hi-Power XLS 4x4 D-Cab	Toyota Hilux 2.5 D-4D 4x4 SRX D-Cab	Isuzu KB250 LE D-Cab 4x4	VW Amarok 2.0 BITDi D-Cab 4x4 Highline	Ford Strengths
Engine & Performance					
Engine Size (cc)	2198	2494	2499	1968	
Cylinders	4	4	4	4	
Power (kW @ rpm)	110@3700	75@3600	85@3600	132@4000	
Torque (Nm @ rpm)	375@1500	260@1600	280@1800	420@1750	
*Fuel Consumption - Combined (l/100km)	8.4	8.7	7.9	8.3	
CO ₂ Emission	235g/km	229	208g/km	219g/km	
Transmission					
Transmission Type	Manual	Manual	Manual	Automatic	
Drive Type	4x4	4x4	4x4	4x4	
Number of Gears	6	5	5	8	
Electronic Differential Lock	Yes	Yes	Yes	Yes	
Wheels & Tyres					
Wheel Type	Alloy	Steel	Alloy	Alloy	
Rim Size - Front & Rear	7.5J x 16	6J x 16	7J x 16	8J x 17	
Dimensions & Capacity					
Length (mm)	5274	5260	5294	5254	
Width (mm)	2163	1760	1860	1954	✓
Height (mm)	1821	1850	1790	1834	
Ground Clearance (mm)	237	212	224	244	✓
Turning Circle (m)	12.7	12.4 (Tyres)	13.5	12.95	
Approach Angle	25.5	30	30	28	
Breakover Angle	18.5	-	22.4	50	
Departure Angle	21.8	23	22.7	23.6	
GCM (kg)	6550	4220	4950	5550	✓
GVM (kg)	3200	2710	2950	2820	✓
Payload (kg)	1049	830	971	845	✓
Legal Towing Weight - Braked (kg)	3500	1510	2100	3000	✓
Load Area Length (mm)	1549	1520	1483	1555	
Load Area Width (mm)	1560	1515	1534	1620	
Load Area Depth (mm)	511	450	465	508	✓
Fuel Tank Capacity (l)	80	80	80	80	
Safety & Security					
ABS	Yes	Yes	Yes	Yes	
ESP	No	No	No	Yes	
Driver Airbag	Yes	Yes	Yes	Yes	
Passenger Airbag	Yes	Yes	Yes	Yes	
Side Airbag	Yes	No	No	Yes	
Central Locking	Remote	Remote	Remote	Remote	
Alarm	Yes	Yes	Yes	Yes	
Immobiliser	Yes	Yes	Yes	Yes	
Comfort & Convenience					
Air Conditioner	Manual	Manual	Manual	Automatic	
Audio System	CD Frontloader	CD Frontloader	CD Frontloader + USB	CD Frontloader	
Bluetooth®	Yes	No	Yes	Optional	
Sliding Rear Window	Yes	Yes	Optional	No	
Towbar	Yes	No	Yes	Preparation	
Warranty & Service Plan					
Warranty	4yr/120 000 km	3yr/100 000 km	5yr/120 000 km	3yr/100 000 km	
Maintenance Plan	No	Optional	No	No	
Service Plan	5yr/90 000 km	5yr/90 000 km	5yr/90 000 km	5yr/90 000 km	
Service Intervals	15 000 km	10 000 km	15 000 km	15 000 km	
Anti-corrosion Warranty	5 years	3 years	5 years	6 years	

FORD TOURNEO CUSTOM COMPETITIVE STRENGTHS



DRIVE QUALITY

When it comes to travelling and touring, the Ford **TOURNEO CUSTOM** offers exceptional quality, giving you all the space you need without compromising on comfort and luxury. Available in both a long and short wheel base, the Tourneo Custom can comfortably carry up to eight people and their luggage. With smart technologies, proven durability, and handy features such as wide-opening dual sliding side load doors for easy access to the passenger compartment, the **TOURNEO CUSTOM** is the perfect people carrier. And of course, all Tourneo Customs feature our 2.2L Duratorq TDCi engine, renowned for its reliability and efficiency, with two power and torque configurations:

- 74kW with 310Nm
- 92kW with 350Nm

DRIVE GREEN

Our Duratorq TDCi diesel engines are remarkably efficient, with a combined fuel consumption as low as *6.5l/100km and CO₂ emissions as low as 172g/km. And when you add unique Ford innovations such as the Shift Indicator and retractable roof rack, the **TOURNEO CUSTOM** becomes an incredibly efficient vehicle.

DRIVE SAFE

Whether it's passengers or goods, the Ford **TOURNEO CUSTOM** has achieved a 5 Star Ncap rating and boasts a variety of active and passive features to ensure their safety:

- 6 Airbags – Driver, Passenger, Side & Curtain
- Rollover Mitigation
- Trailer Sway Control
- Load Adaptive Control
- ABS
- EBA
- Emergency Brake Warning
- Hill Launch Assist
- Park Distance Sensors (Optional)



DRIVE SMART

When it comes to smart touring, the Ford **TOURNEO CUSTOM** offers outstanding flexibility in seating and load configurations. Each seatback folds forward to create a flat workspace, and can be folded forward again to take up less space. And if you need more space you can simply remove the seats. And with over thirty configurations you'll have to try really hard not to fit everything in. But if you really can't, we've got that covered too - the Tourneo Custom has a towing capacity of up to 1600kg and a host of safety features to ensure both you and your trailer reach your destination safely. And to top it off you can stay in touch every second you're driving, with our state-of-the-art Ford SYNC® voice activated control and connectivity technology. It lets you make and take mobile phone calls, hands-free, using the simplest voice commands. It can even read out text messages you've been sent. Likewise, you can control your music on your iPod or MP3 Player, just by using your voice. (SYNC® is optional on Ambiente models and standard on Trend models.)

ADDITIONAL WHY-BUYS

- Fully adjustable steering wheel and driver's seat
- Allergy friendly interior
- SYNC® with Bluetooth® and Voice Control
- Class-leading 10.9 metre turning circle on short wheelbase
- Shift indicator helps you save fuel
- Improved traction with Torque Vectoring Control
- Optional park distance sensors
- Versatile rear seats that can be totally removed
- Standard Bluetooth on entry models
- Standard ABS with EBD
- Standard ESP
- Euro Ncap 5 star award for safety

Some driver assistance features and safety features described in this brochure are designed to function using sensors, which performance may be affected under certain weather or environmental conditions. For more information and guidelines please refer to the Owners' Manual.

	Ford Tourneo Custom LWB 2.2 TDCi Trend Bus	VW Transporter 2.0BiTDi Cr-Bus DSG 7-sp GP	Toyota Quantum 2.5 D-4D 10-s Bus	Hyundai HI 2.5 GL Multicab AT Bus	Ford Strengths
Engine & Performance					
Engine Size (cc)	2198	1968	2494	2497	
Power (kW @ rpm)	92@3500	132@4000	75@3600	125@3800	
Torque (Nm @ rpm)	350@1450	400@1500-2400	260@1600-2400	441@2000-2500	
*Fuel Consumption - Combined (l/100km)	6.5	7.9	Not Available	9.7	✓
CO ₂ Emission	172g/km	208g/km	EU2	257g/km	✓
Transmission					
Transmission Type	Manual	Electronic	Manual	Automatic	
Drive Type	Front	Front	Rear	Rear	
Number of Gears	6	7	5	5	
Wheels & Tyres					
Wheel Type	Alloy	Steel	Steel	Steel	
Dimensions & Capacity					
Length (mm)	5339	4892	4840	5125	✓
Width (mm)	1986	1904	1880	1920	✓
Height (mm)	1909	1990	2105	1935	
Ground Clearance (mm)	238	165	185	190	✓
Turning Circle (m)	12.8	11.9	10.6	11.2	
GCM(kg)	4600	5300	4200	4722	
GVM (kg)	3000	2800	3200	3242	
Payload (kg)	915	824	N/A	2500	
Legal Towing Weight - Braked (kg)	1600	2500	1000	1500	
Doors	5	3	4	5	
Fuel Tank Capacity (l)	80	80	70	75	
Safety & Security					
ABS	Yes	Yes	Yes	Yes	
ESP	Yes	Yes	No	No	
Driver Airbag	Yes	Yes	Yes	Yes	
Passenger Airbag	Yes	Yes	Yes	Yes	
Side Airbag	Yes	No	No	No	
Euro NCAP Safety Rating	5 Star	4 Star	Not Tested	Not Tested	✓
Central Locking	Remote	Remote	Remote	Remote	
Alarm	Yes	Yes	No	Yes	
Immobiliser	Yes	Yes	Yes	Yes	
Auto-locking Doors	Motion	Motion	Yes	Motion	
Comfort & Convenience					
Air Conditioner	Manual	Automatic	Manual	Manual	
Number of Seats	8	5	10	6	
Cruise Control	Yes	Optional	No	Optional	✓
Audio System	CD Frontloader + USB	CD Frontloader	CD Frontloader	CD Frontloader	✓
Bluetooth®	Yes	Optional	No	No	✓
Towbar	No	Optional	Preparation	No	
Warranty & Service Plan					
Warranty	4yr/120 000 km	2yr/Unlimited km	3yr/100 000 km	5yr/150 000 km	
Maintenance Plan	No	Optional	5yr/200 000 km	5yr/90 000 km	
Service Plan	5yr/90 000 km	Optional	5yr/90 000 km	5yr/90 000 km	
Service Intervals	15 000 km	15 000 km	10 000 km	15 000 km	
Anti-corrosion Warranty	5 years	12 years	3 years	5 years	

FORD TRANSIT CUSTOM COMPETITIVE STRENGTHS



DRIVE QUALITY

Quality comes standard with the Ford **TRANSIT CUSTOM**, voted International Van of the Year 2013. Comfortable on the inside and rugged on the outside, the Transit Custom delivers a large carrying capacity with a passenger vehicle ride. And the quality extends to the engine as well. All Transit Customs feature our 2.2L Duratorq TDCi engine, renowned for its reliability and efficiency, with three power and torque configurations:

- 74kW with 310Nm
- 92kW with 350Nm
- 114kW with 385Nm

DRIVE GREEN

Our Duratorq TDCi diesel engines are remarkably efficient, with a combined fuel consumption as low as *7l/100km and CO₂ emissions as low as 186g/km. And when you add unique Ford innovations such as the Shift Indicator and retractable roof rack, the **TRANSIT CUSTOM** becomes an incredibly efficient vehicle. Our Sport Model even features Smart Regenerative Charging, which saves fuel by charging the battery only when you're not accelerating.

DRIVE SAFE

Whether it's passengers or goods, the Ford **TRANSIT CUSTOM** has achieved a 5 Star Ncap rating and boasts a variety of active and passive features to ensure their safety:

- Driver Airbag and optional Passenger Airbag
- Rollover Mitigation
- Trailer Sway Control
- Load Adaptive Control
- Drive Away Locking with Crash Unlocking
- ABS
- EBA
- Emergency Brake Warning
- Hill Launch Assist
- Park Distance Sensors (Standard on Sport, optional on Ambiente)



DRIVE SMART

When it comes to smart transportation, the Ford **TRANSIT CUSTOM** offers class-leading load space. From 6 cubic metres of space, to capacity for three pallets, extra storage under the front passenger seat and the retractable roof rack, the **TRANSIT CUSTOM** has been designed to suit any transportation needs. Even the short wheel base **TRANSIT CUSTOM** features three metres of load space due to the flexible load-through bulkhead. And with if you can't fit everything inside, the **TRANSIT CUSTOM** has a towing capacity of up to 1 800kg and a host of safety features to ensure both you and your trailer reach your destination safely. And to top it off you can stay in touch every second you're driving, with our state-of-the-art Ford SYNC® voice activated control and connectivity technology. It lets you make and take mobile phone calls, hands-free, using the simplest voice commands. It can even read out text messages you've been sent. Likewise, you can control your music on your iPod or MP3 Player, just by using your voice. (SYNC® is optional on Ambiente models and standard on Sport models.)

ADDITIONAL WHY-BUYS

- Fully adjustable steering wheel and driver's seat
- Allergy friendly interior
- SYNC® with Bluetooth® and Voice Control
- Class-leading 10.9 metre turning circle on short wheelbase
- Shift indicator helps you save fuel
- Improved traction with Torque Vectoring Control
- Standard Bluetooth on entry models
- Standard ABS with EBD
- Standard ESP
- Euro Ncap 5 star award for safety

Some driver assistance features and safety features described in this brochure are designed to function using sensors, which performance may be affected under certain weather or environmental conditions. For more information and guidelines please refer to the Owners' Manual.

	Ford Transit Custom LWB 2.2 TDCi Ambiente Hi P-Van	VW Transporter LWB 2.0 TDi GP P-Van	Toyota Quantum 2.5 D-4D S-Long P-Van	Mercedes Vito 116 CDI 2.2 Cr-Cab P-Van	Ford Strengths
Engine & Performance					
Engine Size (cc)	2198	1968	2494	2143	
Power (kW @ rpm)	92@3500	75@3500	75@3600	120@3800	
Torque (Nm @ rpm)	350@1450	250@1500-2400	260@1600-2400	360@1600-2400	√
*Fuel Consumption - Combined (l/100km)	7.3	7.2	Not Available	7.5	
CO ₂ Emission	192g/km	190g/km	EU2	198g/km	
Transmission					
Transmission Type	Manual	Manual	Manual	Manual	
Drive Type	Front	Front	Rear	Rear	
Number of Gears	6	5	5	6	
Wheels & Tyres					
Wheel Type	Steel wheels with styled covers	Steel	Steel	Steel	
Dimensions & Capacity					
Length (mm)	5339	5292	5380	5008	
Width (mm)	1986	1904	1880	1901	√
Height (mm)	1909	1990	2285	1875	
Ground Clearance (mm)	238	165	195	151	√
Turning Circle (m)	12.8	13.2	12.4	11.8	
GCM (kg)	5125	4900	4200	4770	
GVM (kg)	3325	2800	3200	3050	√
Payload (kg)	1505	987	1285	1145-1225	√
Legal Towing Weight - Braked (kg)	1800	2200	1000	2000	
Doors	4	4	3	5	
Fuel Tank Capacity (l)	80	80	70	75	
Safety & Security					
ABS	Yes	Yes	Yes	Yes	
ESP	Yes	Yes	No	Yes	
Driver Airbag	Yes	Yes	Yes	Yes	
Passenger Airbag	Optional	Optional	No	No	
Side Airbag	No	No	No	No	
Euro NCAP Safety Rating	5 Star	4 Star	Not Tested	Not Tested	√
Central Locking	Remote	Optional	Key	Remote	
Alarm	Yes	Optional	No	No	√
Immobiliser	Yes	Yes	Yes	Yes	
Auto-locking Doors	Motion	Motion	Motion	Motion	
Comfort & Convenience					
Air Conditioner	Manual	Optional	Optional	Manual	
Number of Seats	3	3	3	5	
Cruise Control	Optional	Optional	No	Optional	
Audio System	CD Frontloader + USB	Optional	No	Optional	√
Bluetooth®	Yes	No	No	Optional	√
Towbar	No	Optional	Preparation	Yes	
Warranty & Service Plan					
Warranty	4yr/120 000 km	2yr/Unlimited km	3yr/100 000 km	2yr/Unlimited km	√
Maintenance Plan	No	Optional	5yr/90 000 km	No	
Service Plan	Optional	Optional	5yr/90 000 km	5yr/90 000 km	
Service Intervals	15 000 km	15 000 km	10 000 km	30000 km	
Anti-corrosion Warranty	5 years	12 years	3 years	12 years	

ALL-NEW TOURNEO COMING 2014



Bus



The All-new **TOURNEO** is perfect for anything from airport transfer services to ferrying around school and community groups. **TOURNEO** allows your passengers to travel in first-class comfort. Boasting numerous standard features like driver and front passenger airbags, Anti-lock Braking System (ABS) and individual 3-point lap/sash seatbelts for driver and all passengers, power front windows and air-conditioning. It also provides supportive seats, each with a height adjustable headrest, loads of leg, head and shoulder room plus a generous one-metre long luggage area accessed via the rear door. With a powerful 100kW Duratorq TDCI engine with a massive 350Nm of torque, the All-new **TOURNEO** has the power to cope with a full load of passengers and their luggage. Add to this Tourneo's bold styling, and you and your passengers are guaranteed to arrive in style.

European models shown. Actual country specific model and specifications at launch will differ. Some of the features shown on the vehicle may be optional or not available in South Africa.

ALL-NEW TRANSIT COMING 2014



Van



A state-of-the-art workhorse, the all-new **TRANSIT** is coming soon. It offers a vast carrying capacity, an array of advanced technologies and particularly low running costs. Our aim is for it to be the most efficient vehicle in its class. It will help its driver work more efficiently too – the cab doubles as a mobile office, with an optional fold-down work table, multiple stowage areas and two 12v power supply points. The crafted interior also raises the level for comfort and space, while the exterior has a new, contemporary design. Finally, as you'd expect from a **TRANSIT**, the new model will be the benchmark for durability and dependability.

European models shown. Actual country specific model and specifications at launch will differ. Some of the features shown on the vehicle may be optional or not available in South Africa.

ALL-NEW TRANSIT CHASSIS CAB COMING 2014

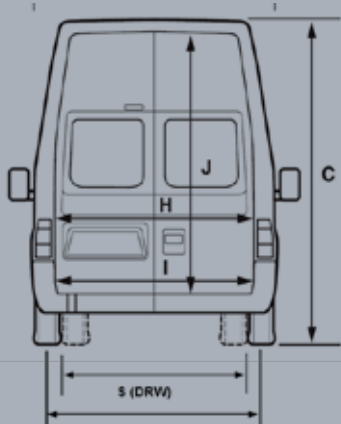
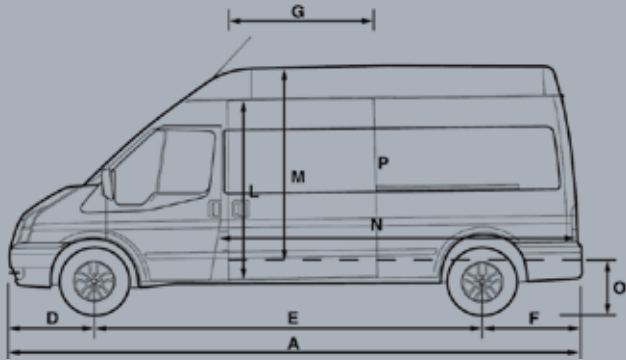


Everyone wants their operation to go places. Making sure it does can have a lot to do with the vehicle you choose. That's why the Ford **TRANSIT CHASSIS CAB** is the best candidate for the job. Available from 3,300-4,600kg Gross Vehicle Mass extended frame for longer and heavier loads. So no matter how big or small the job is, there's a **TRANSIT** that'll suit your needs right down to the ground. And with Ford's respected light commercial heritage, you can be sure your **TRANSIT** will be reliable, hungry for work and able to handle the rigours of daily labour. **TRANSIT CHASSIS CAB** provides an ideal base vehicle that can be converted for a variety of conversions, such as tipper, dropsides, ambulances, refrigerated van and prisoner vehicle. Beneath the bold and stylish surface you will find all the indisputable factors that have made the Ford **TRANSIT** the most respected van in its class.

European models shown. Actual country specific model and specifications at launch will differ. Some of the features shown on the vehicle may be optional or not available in South Africa.

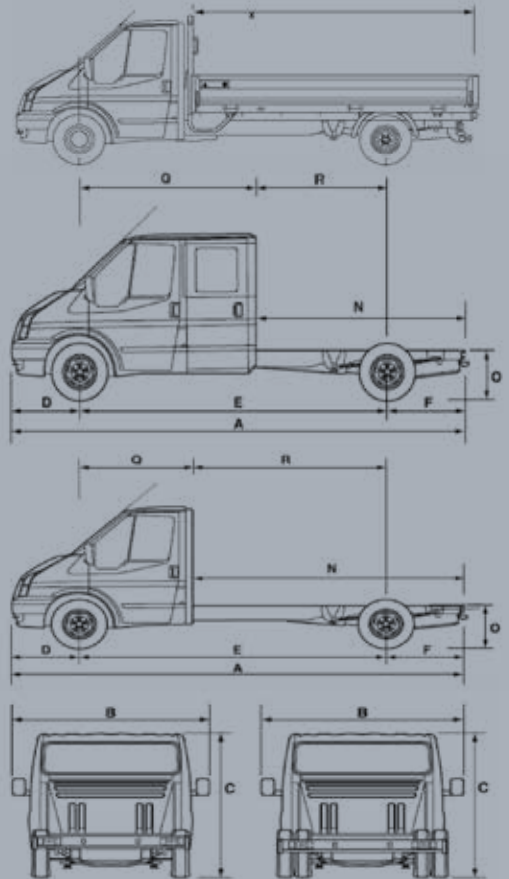
Bus and Van Dimensions

DIMENSION	DESCRIPTION	MWB MR	LWB-EL HR
A	Overall length	5530	6703
B	Overall width - w/o / with mirrors (DRW)	2066/2492	2025/2485/(2084)
C	Overall height (fwd/rwd)	2548/2542	2787
D	FOH	1023	1023
E	WB	3300	3750
F	ROH	1207	1930
G	SLD Width	1300	1300
H	Rear Door width	1565	1565
I	WBW (SRW/DRW)	1390	1390/1153
J	Rear door aperture ht - (fwd/rwd)	1748/1648	1889
K	Max load width	1779	1779
L	SLD aperture Height (fwd/rwd)	1700/1600	1600
M	Load floor to roof (fwd/rwd)	1870/1770	2010
N no bh (floor)	Max loadlength @ floor (no B/H) (fwd/rwd)	3077	4250
N w/bh (floor)	Max loadlength @ floor (with B/H) (fwd/rwd)	3083	4256
N w/bh (1.2m)	Max loadlength @ 1.2m high (w B/H)	2900	4073
O	Loading Ht laden (fwd/rwd)	617/710	715
O	Loading Ht unladen (fwd/rwd)	TBD	TBD
P (m3 VDA)	Loadspace (SAE Method) (fwd/rwd)	10.1/9.6	15.1
P nominal	Loadspace (VDA Method) (fwd/rwd)	TBC	TBC
R	Front Track	1728	1728
S	Rear Track (SRW) (fwd/rwd)	1743 †	1743 †
S	Rear Track (DRW)		1642
	T Circle (k-to-k) (m)	11.9	13.3
	Europallet (1000mm load) Capacity	4	5



Chassis Cab Dimensions

DIMENSION	DESCRIPTION	MWB	ELWB-EL
A	Overall length (w/o float)	5572	7579
A	Overall length (w float)	5750	7757
B	Overall width (w/o float) SRW/DRW no mirrors	2025	2025
B	Overall width (w float) SRW/DRW no mirrors	2042/2142	2042/2142
C	Overall height (fwd/rwd)	2200 max	2200 max
D	FOH	1023	1023
E	WB *	3504	4522
F	ROH (w/o float)	1045	2034
F	ROH (w float)	1223	2212
N	Chassis frame length	3144	5151
O	Floor/Chassis frame height (fwd/rwd)	762	TBD
Q	Rear of cab to front wheel centre	1405	1405
R	Rear of cab to rear wheel centre	2099	3117
X	Float internal length	3150	5150
	Float Internal Width	2081	2081
	Front track	1745	1745
S	Rear track (SRW) (fwd/rwd)	1743	1743
S	Rear track (DRW) ††	1642	1642
	T Circle (k-to-k) (m)	12.5	TBC







Go Further

THE AIM IS NOT JUST TO KEEP UP, BUT TO STAY AHEAD. Going further means never stopping. And never resting on our laurels. It's all about going where no one expects a company to go for its customers. Because even our imagination is no limit to what's possible.

Business and Commercial Fleet Customers.

The Ford portfolio of products is growing rapidly to meet your business needs.

Please contact your local Ford Dealer for more information
or visit our website www.ford.co.za/buying/fleet
or alternatively email us at fleetsa@ford.com.

Ford Protect

Ford **Protect** offers a holistic suite of service, maintenance, warranty and roadside-assistance products aimed at keeping your new FORD in perfect working condition.

New vehicle Warranty - Every Ford comes with a Comprehensive Warranty.

Service Plan – Select Ford vehicles come standard with a service plan. (More details inside brochure)

Corrosion Warranty – Every Ford vehicle comes standard with a Corrosion Warranty.

Roadside Assistance – Every Ford vehicle comes standard with Roadside Assistance.

New Vehicle Extended Warranty – On select Ford vehicles, a New Vehicle Extended Warranty may be purchased. (More details inside brochure)

Consult the Fleet handbook, Ford dealer or www.ford.co.za for more info regarding Ford Protect plans



Quality

We design and build your Ford to feel as good after many years of service as it did the day you picked it up. And to drive just as beautifully too.



Green

Using advanced Ford technology, we're committed to creating vehicles with improved fuel economy, reduced CO₂ emissions and a lower overall cost of ownership.



Safe

Ford's Intelligent Protection System uses sophisticated technology designed to help prevent an accident and, if one should happen, to protect you.



Smart

Vehicles with smart intuitive technologies designed to connect your world and many clever solutions from Ford that make life a little easier.

*Fuel economy and emission figures obtained from controlled tests on a combined cycle. Note that the actual fuel consumption and emission will depend on many factors including your driving habits, prevailing conditions and your vehicles equipment, condition and use.

Ford reserves the right, subject to all applicable laws, to discontinue or change features and other specifications either temporarily or permanently, which will be communicated to the Ford Dealer Network. Information obtained from Manufacturers' website, Manufacturers' brochures and Unitrans website. Printed May 2014.



Visit FordSouthAfrica